

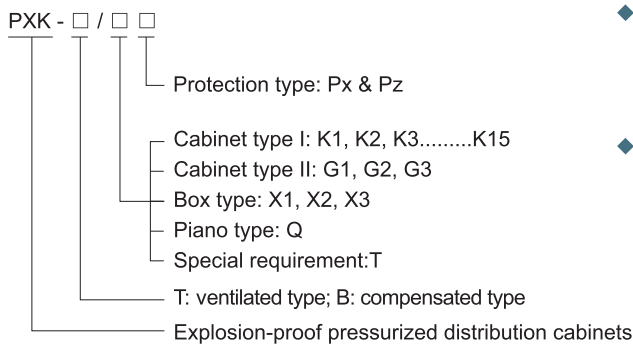
## Pressurized Products

### PXK Series Explosion-proof Pressurized Distribution Cabinets

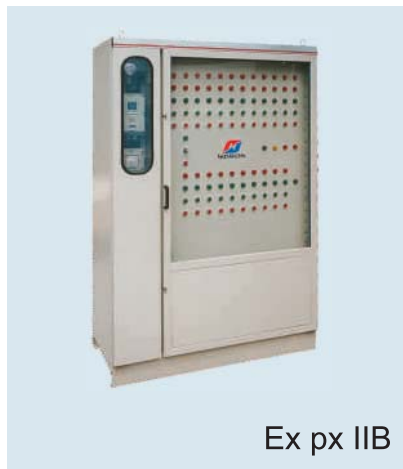


- ◆ Explosion protection to
  - CENELEC
  - IEC
- ◆ Can be used in
  - Zone 1 and Zone 2
  - Zone 21 and Zone 22
- ◆ Explosion-proof types IIB, IIC.
- ◆ Available in types G, X, Q, T, K.
- ◆ The product consists of main cavity and auxiliary cavity. The main cavity is of pressurized cavity, with electrical components that users need and pressure check sensor system, ventilation air distribution system, and air conditioning system, etc.; the auxiliary cavity is installed with explosion-proof ventilation auto-control system, explosion-proof power auto-off system, explosion-proof alarm system, explosion-proof pressure display system, and air in/out connector; the auxiliary cavity with auto-air supply is equipped with explosion-proof air supply device.
- ◆ Cabinet type product adopts GGD frame; the main cavity and auxiliary cavity are of left and right structure; cable channel is of horizontal installation type; bottom inlet, front operation and back overhauling.
- ◆ Box type product adopts high quality steel plate welding structure; the main cavity and auxiliary cavity are of up and down structure; wall type installation; bottom inlet, front operation and back overhauling.
- ◆ The back doors of cabinet type and piano type are of rapid opening device, convenient for user to install and overhaul.

#### Catalogue number logic



Ex pz IIC



Ex px IIB



Ex px IIC

## Zones 1&2; 21&22

## Technical data

## Explosion-proof pressurized distribution cabinets (Ex px IIB)

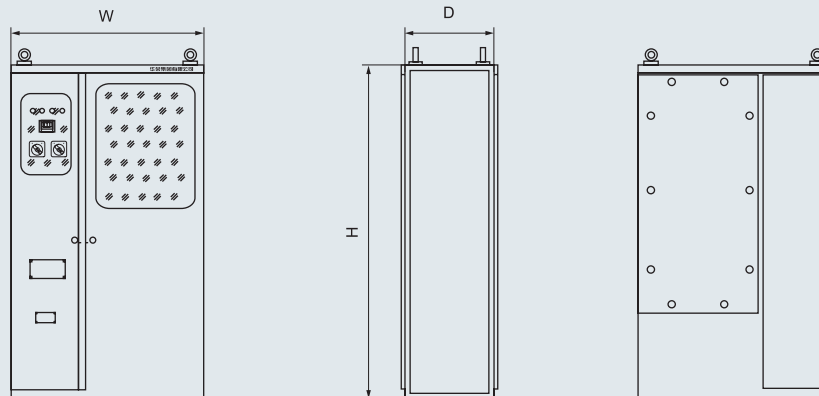
PXK-□/□□

Explosion protection	Ⓔ II 2 G Ex d e [ia] ia px IIB T4 Gb
Certificates	PCEC (China); ATEX and IECEx (applied for)
Conformity to standards	EN 60079-0, EN 60079-1, EN 60079-2, EN 60079-7, EN 60079-11 IEC 60079-0, IEC 60079-1, IEC 60079-2, IEC 60079-7, IEC 60079-11
Positive pressure value	200Pa~800Pa(0.002bar~0.008bar)
Air pressure	0.2MPa~0.8MPa (2bar~8bar)
Rated voltage	Max.690V AC
Rated current	Max.630A
Enclosure material	Powder coated carbon steel or stainless steel
Degree of protection	IP66
Ambient temperature	-40°C~+55°C

## Selection table

Type	Outline W×H×D (mm)	Main cavity W×H×D (mm)	Auxiliary cavity W×H×D (mm)	Effective dimension of main cavity operation panel W×H (mm)	Installation (mm)	Enclosure weight (kg)
G1	1200 x 1800 x 600	800 x 1800 x 600	400 x 1800 x 600	600 x 1500	1000 x 550	80.00
G2	1400 x 2100 x 600	1000 x 2100 x 600	400 x 2100 x 600	800 x 1800	1200 x 550	100.00
G3	1400 x 2100 x 800	1000 x 2100 x 800	400 x 2100 x 800	800 x 1800	1200 x 750	120.00

## Dimension drawings (all dimensions in mm) - subject to alteration



## Px series pressurized cabinets

- ◆ The pressurized cavity of cabinet type product has a large volume and large number of components; it is suitable for the start, control, especially the frequency control of motor speed and soft start, etc of large apparatus (large power); it is also used for centralized control, craft control, instrument analysis, and signal centralized processing system.
- ◆ Users can select proper size (G1, G2, G3) according to the quantity of inner components, and can design the layout drawing of panel and components according to the following "Effective dimension of operation panel of the main cavity".
- ◆ Special design is on request.

## Ordering information

- ◆ Please specify the product type when ordering according to Catalogue Number Logic;
- ◆ Users should provide electrical system drawing, control schematic diagram, brand of inner components, layout drawing of panel components, cable size of inlet/outlet and quantity, etc..