

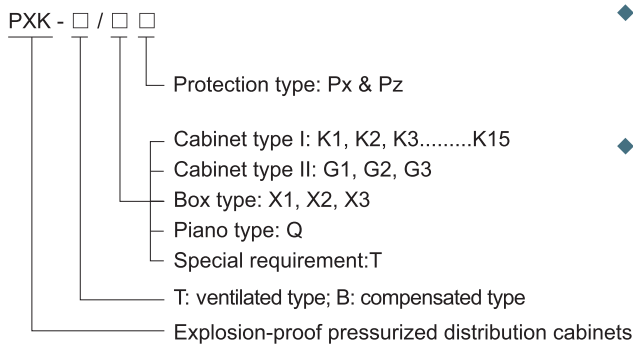
## Pressurized Products

### PXK Series Explosion-proof Pressurized Distribution Cabinets

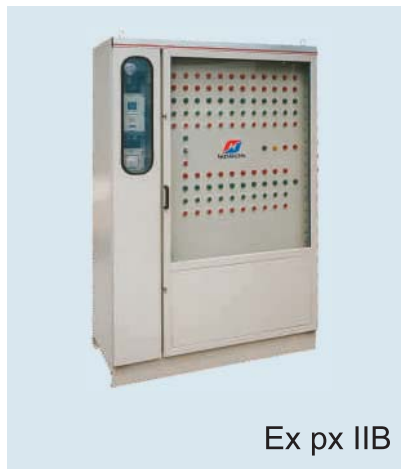


- ◆ Explosion protection to
  - CENELEC
  - IEC
- ◆ Can be used in
  - Zone 1 and Zone 2
  - Zone 21 and Zone 22
- ◆ Explosion-proof types IIB, IIC.
- ◆ Available in types G, X, Q, T, K.
- ◆ The product consists of main cavity and auxiliary cavity. The main cavity is of pressurized cavity, with electrical components that users need and pressure check sensor system, ventilation air distribution system, and air conditioning system, etc.; the auxiliary cavity is installed with explosion-proof ventilation auto-control system, explosion-proof power auto-off system, explosion-proof alarm system, explosion-proof pressure display system, and air in/out connector; the auxiliary cavity with auto-air supply is equipped with explosion-proof air supply device.
- ◆ Cabinet type product adopts GGD frame; the main cavity and auxiliary cavity are of left and right structure; cable channel is of horizontal installation type; bottom inlet, front operation and back overhauling.
- ◆ Box type product adopts high quality steel plate welding structure; the main cavity and auxiliary cavity are of up and down structure; wall type installation; bottom inlet, front operation and back overhauling.
- ◆ The back doors of cabinet type and piano type are of rapid opening device, convenient for user to install and overhaul.

#### ■ Catalogue number logic



Ex pz IIC



Ex px IIB



Ex px IIC

## Zones 1&2; 21&22

## Pressurized Products

### PXK Series Explosion-proof Pressurized Distribution Cabinets

#### Technical data

#### Explosion-proof pressurized distribution cabinets (Ex px IIC)

PXK-□/□□

#### Explosion protection

Gas explosion protection

⊕ II 2 G Ex d e px IIC T4 Gb

Dust explosion protection

⊕ II 2 D Ex pD IIIC T130°C Db IP66

#### Certificates

PCEC (China); ATEX and IECEx (applied for)

#### Conformity to standards

EN 60079-0, EN 60079-1, EN 60079-2, EN 60079-7, EN 61241-4  
IEC 60079-0, IEC 60079-1, IEC 60079-2, IEC 60079-7, IEC 61241-4

#### Positive pressure value

200Pa~800Pa(0.002bar~0.008bar)

#### Air pressure

0.2MPa~0.8MPa (2bar~8bar)

#### Rated voltage

Max.690V AC

#### Rated current

Max.630A

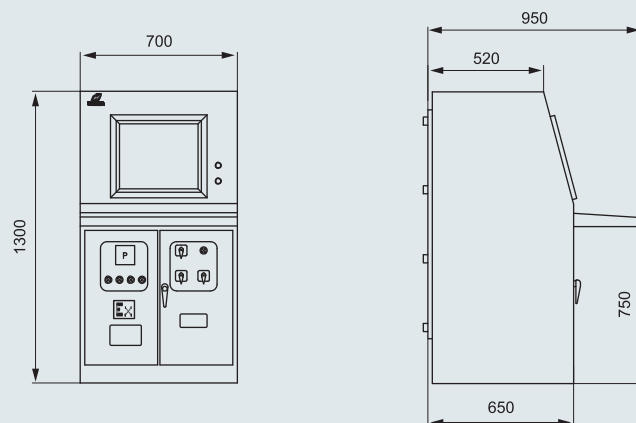
#### Enclosure material

Powder coated carbon steel or stainless steel

#### Ambient temperature

-40°C~+55°C

#### Dimension drawings (all dimensions in mm) - subject to alteration



#### ■ Px series pressurized cabinets

- ◆ The components of pressurized cavity of piano type product are mainly used for on-site control components, analysis instrument, centralized control and signal contact; and used for on-site continuous operation and monitoring;
- ◆ Computer can be installed on request;
- ◆ Special design is on request.

#### ■ Ordering information

- ◆ Please specify the product type when ordering according to Catalogue Number Logic;
- ◆ Users should provide electrical system drawing, control schematic diagram, brand of inner components, layout drawing of panel components, cable size of inlet/outlet and quantity, etc..