

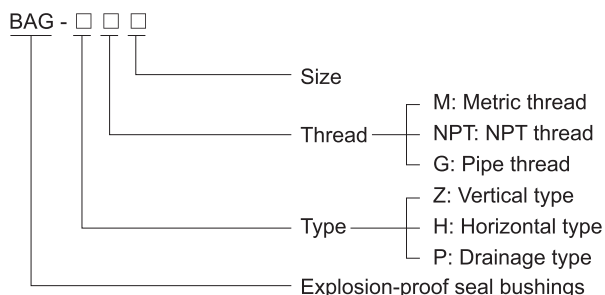
## Accessories for Installation

### BAG Series Explosion-proof Seal Bushings



- ◆ Explosion protection to
  - CENELEC
  - IEC
  - NEC
- ◆ Can be used in
  - Zone 1 and Zone 2
  - Zone 21 and Zone 22
  - Class I, Zone 1 and Zone 2
  - Class I, Division 1, Groups A, B, C, D
- ◆ Copper-free aluminium, powder coated surface.
- ◆ Widely used for isolating seal between pipes or pipes and explosion-proof enclosures.

#### ■ Catalogue number logic



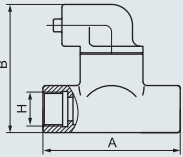
Technical data	
<b>Explosion-proof seal bushings</b>	<b>BAG-□□□</b>
<b>Explosion protection</b>	<ul style="list-style-type: none"> <li>Gas explosion protection <math>\text{Ex}</math> II 2 G Ex d IIC Gb <math>\text{Ex}</math> II 2 G Ex e IIC Gb</li> <li>Dust explosion protection <math>\text{Ex}</math> II 2 D Ex tb IIIC Db IP66</li> </ul>
<b>Certificates</b>	EUT 14 ATEX 1124X; IECEx CQM 13.0029X; RU C-CN.ГБ08.B.00927(CU-TR)
<b>Conformity to standards</b>	EN 60079-0, EN 60079-1, EN 60079-7, EN 60079-31 IEC 60079-0, IEC 60079-1, IEC 60079-7, IEC 60079-31
<b>Enclosure material</b>	Copper-free aluminium, powder coated surface. Note: Other material can be customized on request.
<b>Enclosure colour</b>	Window grey (RAL 7040)
<b>Degree of protection</b>	IP66
<b>Ambient temperature</b>	-60°C~+100°C
<b>Type</b>	Type Z, Type H, Type P
<b>Connection thread</b>	<ol style="list-style-type: none"> <li>1. Metric thread is standard type; G thread or NPT thread is optional. (The seal bushings are supplied without filling compound. Please specify when ordering)</li> <li>2. Metric threads are 1.5mm pitch as standard, others thread pitch can be customized, please specify when ordering.</li> </ol>

## Zones 1&2; 21&22

## Accessories for Installation

### BAG Series Explosion-proof Seal Bushings

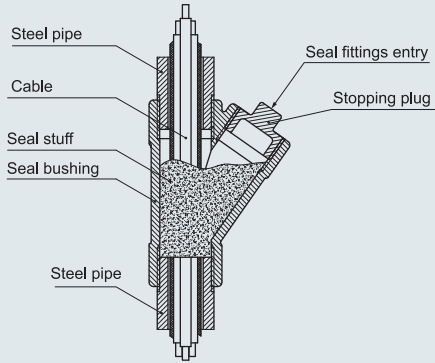
**Selection table**

Version	Female thread "H"			Dimensions (mm)		Cable outer diameter (mm)	Ordering code	Weight (kg)
	Metric	NPT	G	A	B			
 Type Z	M20	1/2"	1/2"	77	54	8~10	704001	0.10
	M25	3/4"	3/4"	87	65	10~14	704002	0.15
	M32	1"	1"	102	78	12~17	704003	0.20
 Type Z	M40	1 1/4"	1 1/4"	130	87	15~23	704004	0.35
	M50	1 1/2"	1 1/2"	130	92	17~26	704005	0.35
	M63	2"	2"	140	107	25~35	704006	0.50
 Type H	M20	1/2"	1/2"	74	95	8~10	704007	0.30
	M25	3/4"	3/4"	74	101	10~14	704008	0.30
	M32	1"	1"	74	107	12~17	704009	0.30
	M40	1 1/4"	1 1/4"	98	115	15~23	704010	0.35
	M50	1 1/2"	1 1/2"	98	134	17~26	704011	0.45
	M63	2"	2"	120	142	25~35	704012	0.55
 Type P	M20	1/2"	1/2"	88	61	8~10	704013	0.15
	M25	3/4"	3/4"	100	74	10~14	704014	0.20
	M32	1"	1"	111	83	12~17	704015	0.25
 Type P	M40	1 1/4"	1 1/4"	130	116	15~23	704016	0.45
	M50	1 1/2"	1 1/2"	130	121	17~26	704017	0.45
	M63	2"	2"	140	143	25~35	704018	0.65

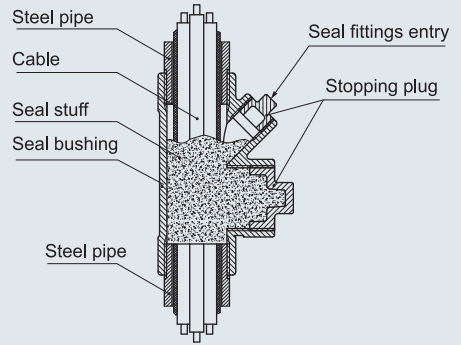


## Accessories for Installation BAG Series Explosion-proof Seal Bushings

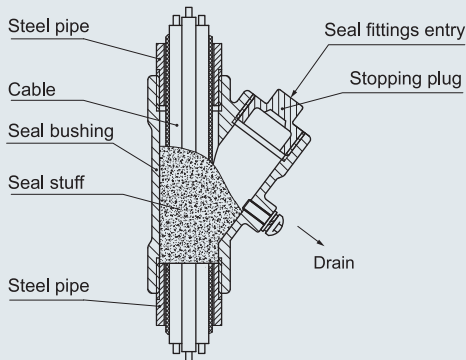
### Schematic diagram



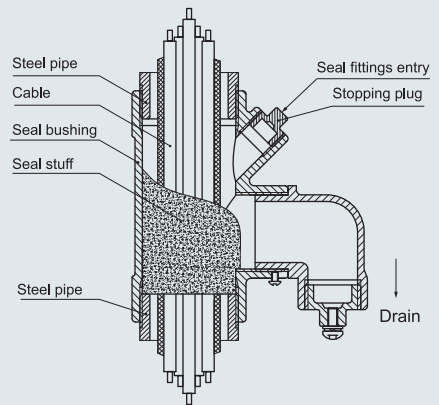
BAG-Z (Vertical type M20 x 1.5 ~ M32 x 1.5)



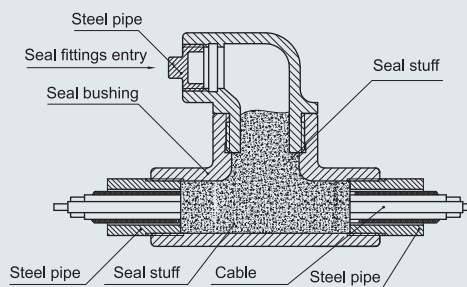
BAG-Z (Vertical type M40 x 1.5 ~ M63 x 1.5)



BAG-P (Drainage type M20 x 1.5 ~ M32 x 1.5)



BAG-P (Drainage type M40 x 1.5 ~ M63 x 1.5)



BAG-H (Horizontal type)