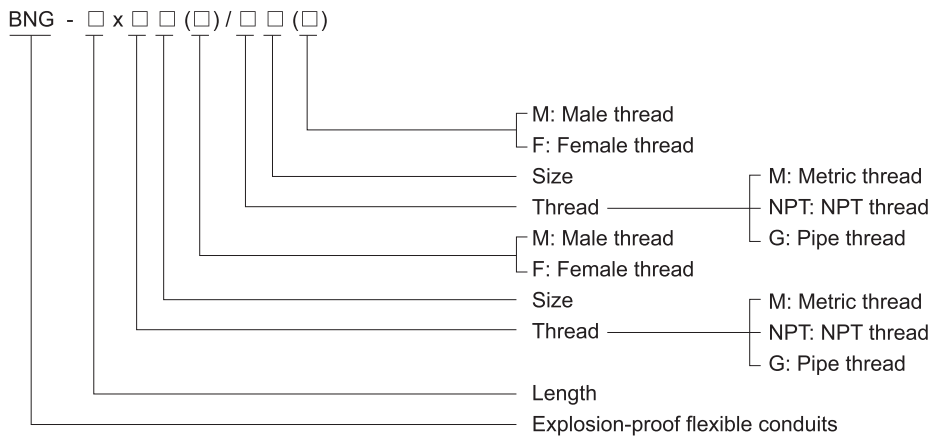


Flexible Conduits BNG Series Stainless Steel Explosion-proof Flexible Conduits



- ◆ Explosion protection to
 - CENELEC
 - IEC
 - NEC
- ◆ Can be used in
 - Zone 1 and Zone 2
 - Zone 21 and Zone 22
 - Class I, Zone 1 and Zone 2
 - Class I, Division 1, Groups A, B, C, D
- ◆ Ex d structure; stainless steel body; connectors at both ends in stainless steel.
- ◆ Application:
 - Widely used for flexible connection between explosion-proof boxes or explosion-proof light fittings and pipes
 - Protect cable from any damage
 - Highly corrosion-proof

Catalogue number logic



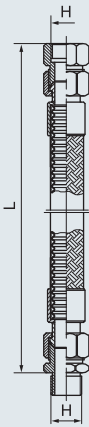
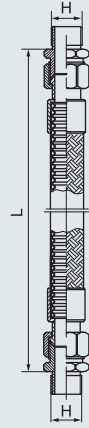
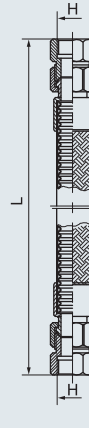
Technical data	
Stainless steel explosion-proof flexible conduits BNG-□x□□(□)/□□(□)	
Explosion protection	Gas explosion protection $\text{Ex II 2 G Ex d IIC Gb}$ Dust explosion protection $\text{Ex II 2 D Ex tD A21 IP66}$
Certificates	DNV 10 ATEX 87636U; IECEx CQM 11.0014U; RU C-CN.ГБ05.В.00345(CU-TR) KZ.7500525.22.01.00372 (CU-TR)
Conformity to standards	EN 60079-0, EN 60079-1, EN 61241-0, EN 61241-1 IEC 60079-0, IEC 60079-1, IEC 61241-0, IEC 61241-1
Material	Stainless steel body; connectors at both ends in stainless steel
Degree of protection	IP66
Ambient temperature	-60°C~+55°C
Connection thread Type	Metric thread is standard type; G thread or NPT thread is optional F/F, M/F or M/M
Note: 1. M75, M90, M115 equivalent G thread and NPT thread can be customized, other length can be customized. 2. Metric threads are 1.5mm pitch as standard, others thread pitch can be customized, please specify when ordering.	

Zones 1&2; 21&22

Flexible Conduits

BNG Series Stainless Steel Explosion-proof Flexible Conduits

Selection table

Version	Internal nominal diameter (mm)	Pipe connector thread "H"			Length L (mm)	Minimum bending radius (mm)	Ordering code	Weight (kg)
		Metric	NPT	G				
 BNG-□x□□(M)/□□(F)	15	M20	1/2"	1/2"	700	80	712001	0.55
	15	M20	1/2"	1/2"	1000	80	712002	0.70
	20	M25	3/4"	3/4"	700	110	712003	0.85
	20	M25	3/4"	3/4"	1000	110	712004	1.00
	25	M32	1"	1"	700	145	712005	1.05
	25	M32	1"	1"	1000	145	712006	1.15
	32	M40	1 1/4"	1 1/4"	700	180	712007	1.25
	32	M40	1 1/4"	1 1/4"	1000	180	712008	1.30
	40	M50	1 1/2"	1 1/2"	700	210	712009	1.70
	40	M50	1 1/2"	1 1/2"	1000	210	712010	1.95
 BNG-□x□□(M)/□□(M)	50	M63	2"	2"	700	250	712011	2.35
	50	M63	2"	2"	1000	250	712012	2.40
	15	M20	1/2"	1/2"	700	80	712013	0.50
	15	M20	1/2"	1/2"	1000	80	712014	0.65
	20	M25	3/4"	3/4"	700	110	712015	0.80
	20	M25	3/4"	3/4"	1000	110	712016	0.95
	25	M32	1"	1"	700	145	712017	1.00
	25	M32	1"	1"	1000	145	712018	1.05
	32	M40	1 1/4"	1 1/4"	700	180	712019	1.15
	32	M40	1 1/4"	1 1/4"	1000	180	712020	1.20
 BNG-□x□□(F)/□□(F)	40	M50	1 1/2"	1 1/2"	700	210	712021	1.60
	40	M50	1 1/2"	1 1/2"	1000	210	712022	1.80
	50	M63	2"	2"	700	250	712023	2.15
	50	M63	2"	2"	1000	250	712024	2.25
	15	M20	1/2"	1/2"	700	80	712025	0.65
	15	M20	1/2"	1/2"	1000	80	712026	0.75
	20	M25	3/4"	3/4"	700	110	712027	0.95
	20	M25	3/4"	3/4"	1000	110	712028	1.05
	25	M32	1"	1"	700	145	712029	1.10
	25	M32	1"	1"	1000	145	712030	1.30
	32	M40	1 1/4"	1 1/4"	700	180	712031	1.35
	32	M40	1 1/4"	1 1/4"	1000	180	712032	1.40
	40	M50	1 1/2"	1 1/2"	700	210	712033	1.80
	40	M50	1 1/2"	1 1/2"	1000	210	712034	2.15
	50	M63	2"	2"	700	250	712035	2.55
	50	M63	2"	2"	1000	250	712036	3.15

