

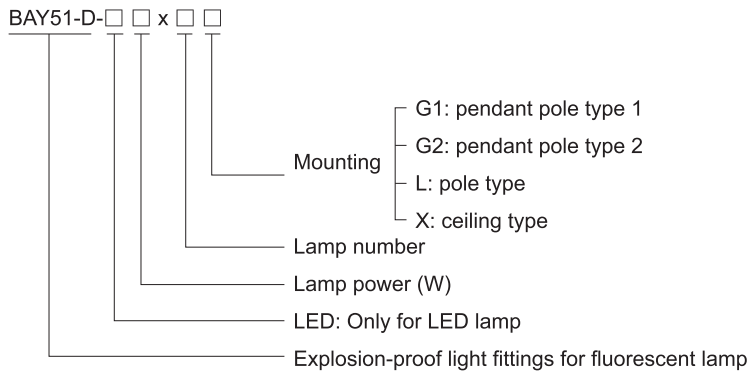
Light Fittings for Fluorescent Lamp

BAY51-D Series Explosion-proof Light Fittings for Fluorescent Lamp

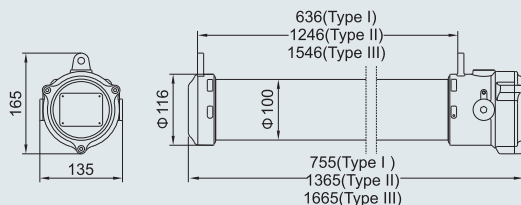


- ◆ Explosion Protection to
 - CENELEC
 - IEC
 - NEC
- ◆ Can be used in
 - Zone 1 and Zone 2
 - Zone 21 and Zone 22
 - Class I, Zone 1 and Zone 2
 - Class I, Division 1, Groups B, C, D
- ◆ Three enclosure types: Type I, Type II and Type III
 - Available lamp and power
 - Type I: T8 18W x 2, T5 14W x 2, LED 9W x 2
 - Type II: T8 36W x 2, T5 28W x 2, LED 18W x 2
 - Type III: T8 58W x 2, T5 35W x 2, LED 28W x 2
- ◆ The glass tube stands 4J impact.
- ◆ Enclosure in copper-free aluminium, powder coated surface, yellow (RAL1021).
- ◆ Built-in electronic ballast, wide voltage input, rapid starting, stable performance, power factor \geq 0.95.
- ◆ Built-in LED driver, wide voltage input, CC-CV (constant current - constant voltage) output, power factor \geq 0.95.
- ◆ End of lamp life (EOL) rectification effect protection.

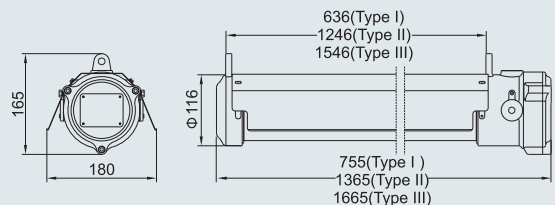
Catalogue number logic



Dimension drawings (all dimensions in mm) - subject to alteration



BAY51-D-□□x2□
Without external reflector



BAY51-D-□□x2□
With external reflector

Zones 1&2; 21&22

Light Fittings for Fluorescent Lamp

BAY51-D Series Explosion-proof Light Fittings for Fluorescent Lamp

Technical data

Explosion-proof light fittings for fluorescent lamp BAY51-D-□□ × □□

Explosion protection	Gas explosion protection Dust explosion protection	⊕ II 2 G Ex db IIB T6 Gb; ⊕ II 2 G Ex db IIB+H2 T6 Gb; ⊕ II 2 D Ex tb IIIC T80°C Db IP66
Certificates		ATEX and IECEx (applied for)
Conformity to standards		EN 60079-0, EN 60079-1, EN 60079-31 IEC 60079-0, IEC 60079-1, IEC 60079-31
Material		
Enclosure		Copper-free aluminium, powder coated surface, yellow (RAL1021)
Glass tube		Toughened glass, stands 4J impact
Ballast		Electronic ballast
LED driver		Wide voltage input, CC-CV (constant current - constant voltage) output, power factor≥0.95, with function of distributed current, constant current, surge-proof and anti-electromagnetic interference, and protection against overcurrent, open circuit, and short circuit.
Wire guard (optional)		Powder coated carbon steel (white) or stainless steel
External reflector (optional)		Powder coated carbon steel (white) or stainless steel
Exposed fastener		Stainless steel
Lamp		
Lamp specification		International brand of T8 fluorescent lamp (supplied with the light fittings) International brand of T5 fluorescent lamp (supplied with the light fittings) International brand of LED module (supplied with the light fittings)
Lamp power (W)		T8: 18Wx2, 36Wx2, 58Wx2 T5: 14Wx2, 28Wx2, 35Wx2 LED: 9Wx2, 18Wx2, 28Wx2
Colour Temperature (CCT)		Cool white: 5400~6500K Note: cool white is available in general. Warm white (2700~3500K) or nature white (4700~5400K) is optional, please specify when ordering.
Rated voltage		T8/T5: 220~240V AC 50/60Hz; 100~300V AC 50/60Hz; LED: 110~265V AC 50/60Hz
Earthing protection		M5 (internal & external earth bolts)
Degree of protection		IP66, IP67 (optional)
Ambient temperature		⊕ II 2 G Ex db IIB+H2 T6 Gb for Tamb: -20°C~+55°C ⊕ II 2 G Ex db IIB T6 Gb and ⊕ II 2 D Ex tb IIIC T80°C Db IP66 for Tamb: -60°C~+55°C
Terminal		3 x 1.5~4mm ² (L+N+PE)
Cable entries		2 x M25 x 1.5 plugs
Cable gland(optional)		DQM-II (Ex d) or DQM-III (Ex d) is recommended. Please see P7/20~27

Selection table

Type / Ordering code	Lamp power(W)	Weight (kg)	Type / Ordering code	Lamp power(W)	Weight (kg)	Type / Ordering code	Lamp power(W)	Weight (kg)
BAY51-D-18 x 2G1	18x2	5.85	BAY51-D-LED 9 x 2G1	9x2	5.75	BAY51-D-14 x 2G1	14x2	5.65
BAY51-D-18 x 2G2	18x2	7.00	BAY51-D-LED 9 x 2G2	9x2	6.90	BAY51-D-14 x 2G2	14x2	6.80
BAY51-D-18 x 2X	18x2	5.52	BAY51-D-LED 9 x 2X	9x2	5.42	BAY51-D-14 x 2X	14x2	5.32
BAY51-D-18 x 2L	18x2	5.64	BAY51-D-LED 9 x 2L	9x2	5.54	BAY51-D-14 x 2L	14x2	5.44
BAY51-D-36 x 2G1	36x2	8.45	BAY51-D-LED 18 x 2G1	18x2	8.35	BAY51-D-28 x 2G1	28x2	8.25
BAY51-D-36 x 2G2	36x2	9.63	BAY51-D-LED 18 x 2G2	18x2	9.53	BAY51-D-28 x 2G2	28x2	9.43
BAY51-D-36 x 2X	36x2	8.13	BAY51-D-LED 18 x 2X	18x2	8.03	BAY51-D-28 x 2X	28x2	7.93
BAY51-D-36 x 2L	36x2	8.25	BAY51-D-LED 18 x 2L	18x2	8.15	BAY51-D-28 x 2L	28x2	8.05
BAY51-D-58 x 2G1	58x2	9.72	BAY51-D-LED 28 x 2G1	28x2	9.62	BAY51-D-35 x 2G1	35x2	9.52
BAY51-D-58 x 2G2	58x2	10.90	BAY51-D-LED 28 x 2G2	28x2	10.80	BAY51-D-35 x 2G2	35x2	10.70
BAY51-D-58 x 2X	58x2	9.40	BAY51-D-LED 28 x 2X	28x2	9.30	BAY51-D-35 x 2X	35x2	9.20
BAY51-D-58 x 2L	58x2	9.52	BAY51-D-LED 28 x 2L	28x2	9.42	BAY51-D-35 x 2L	35x2	9.32

Note: 1. Products above include all the mounting accessories listed in Mounting Accessories & Spare Parts Table (see P2/23).
2. The light fittings are supplied without wire guard and external reflector. Please specify when ordering.



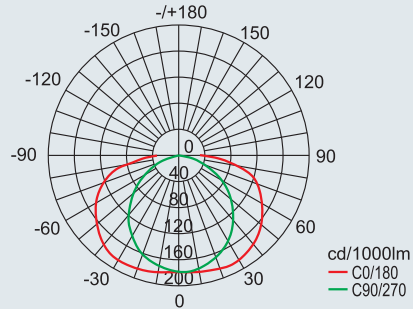
Light Fittings for Fluorescent Lamp

BAY51-D Series Explosion-proof Light Fittings for Fluorescent Lamp

Photometric data Note: LED luminous flux is from the standard product of which colour temperature is 5400 to 6500K (cool white).

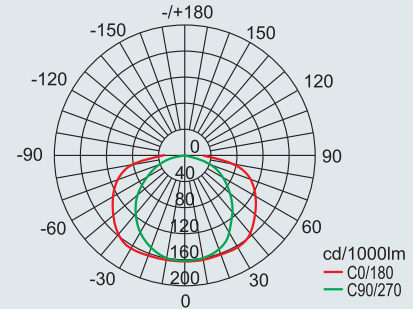
BAY51-D-18x2□(without external reflector)
 BAY51-D-14x2□(without external reflector)
 BAY51-D-LED 9x2□(without external reflector)

Rated luminous flux
 T8: 18Wx2: 2600lm
 T5: 14Wx2: 2500lm
 LED: 9Wx2: 1890lm



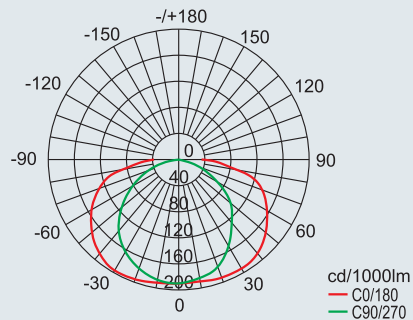
BAY51-D-18x2□(with external reflector)
 BAY51-D-14x2□(with external reflector)
 BAY51-D-LED 9x2□(with external reflector)

Rated luminous flux
 T8: 18Wx2: 2600lm
 T5: 14Wx2: 2500lm
 LED: 9Wx2: 1890lm



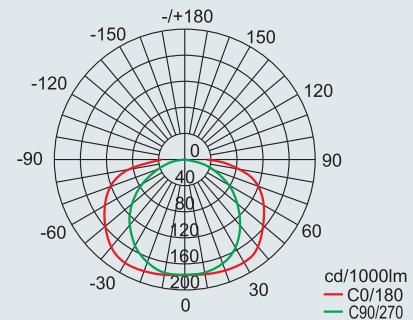
BAY51-D-36x2□(without external reflector)
 BAY51-D-28x2□(without external reflector)
 BAY51-D-LED 18x2□(without external reflector)

Rated luminous flux
 T8: 36Wx2: 6500lm
 T5: 28Wx2: 5400lm
 LED: 18Wx2: 3780lm



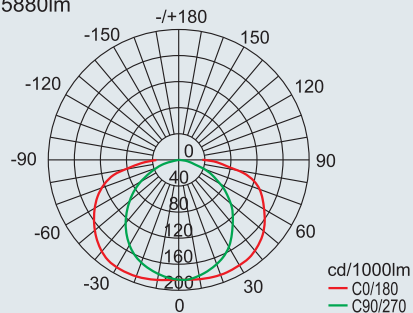
BAY51-D-36x2□(with external reflector)
 BAY51-D-28x2□(with external reflector)
 BAY51-D-LED 18x2□(with external reflector)

Rated luminous flux
 T8: 36Wx2: 6500lm
 T5: 28Wx2: 5400lm
 LED: 18Wx2: 3780lm



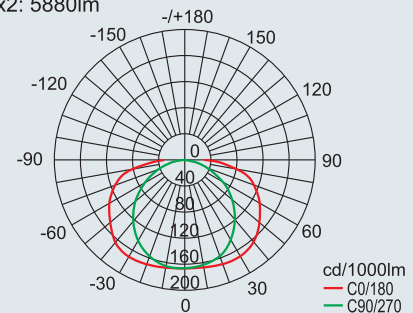
BAY51-D-58x2□(without external reflector)
 BAY51-D-35x2□(without external reflector)
 BAY51-D-LED 28x2□(without external reflector)

T8: 58Wx2: 10000lm
 T5: 35Wx2: 6800lm
 LED: 28Wx2: 5880lm



BAY51-D-58x2□(with external reflector)
 BAY51-D-35x2□(with external reflector)
 BAY51-D-LED 28x2□(with external reflector)

T8: 58Wx2: 10000lm
 T5: 35Wx2: 6800lm
 LED: 28Wx2: 5880lm



We can provide lighting design and data by professional lighting software DIALUX based upon simulated site situation on request.



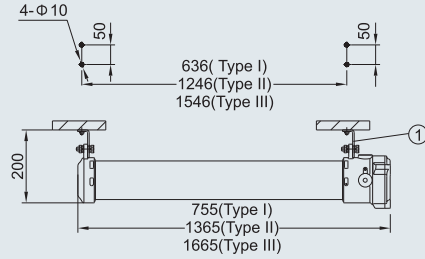
Light Fittings for Fluorescent Lamp

BAY51-D Series Explosion-proof Light Fittings for Fluorescent Lamp

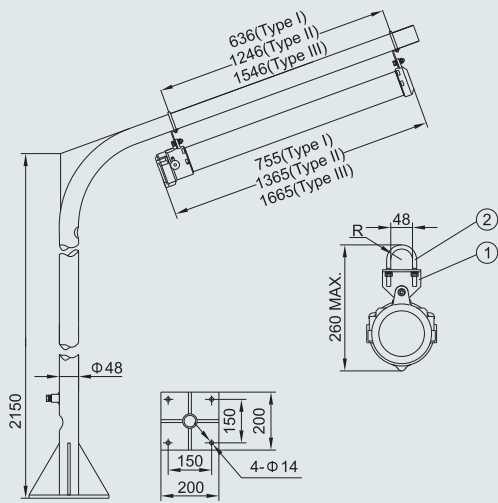
Mounting type for light fittings with dual lamp tube (all dimensions in mm) - subject to alteration

Installation reference

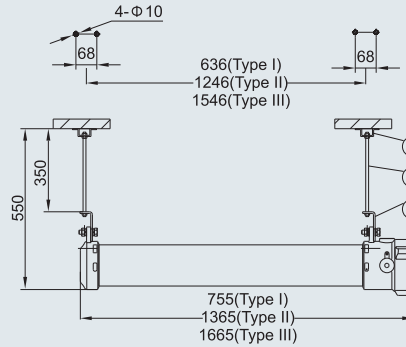
X: ceiling type



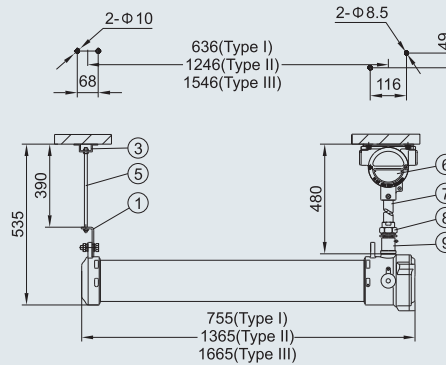
L: pole type (the pole is provided by user)



G1: pendant pole type 1



G2: pendant pole type 2



Mounting Accessories & Spare Parts Table (light fittings with dual lamp tube)

Supplied according to the mounting type

Mounting type	Accessories			Ordering code	Weight(kg)
	Name	Qty	Illustration		
X: ceiling type	① Mounting plate	2	Carbon steel	51DX01	0.25
L: pole type	① Mounting plate	2	Carbon steel	51DX01	0.25
	② U type pipe clamp	2	Carbon steel	51L01	0.15
G1: pendant pole type 1	① Mounting plate	2	Carbon steel	51DX01	0.25
	③ Mounting bracket	2	Carbon steel	51S01G1	0.04
	④ M8 screw	2	Length: 350mm	51S01G2	0.12
G2: pendant pole type 2	① Mounting plate	2	Carbon steel	51DX01	0.25
	③ Mounting bracket	1	Carbon steel	51S01G1	0.04
	⑤ M8 screw	1	Length: 390mm	51S01G3	0.15
	⑥ BHD51 Explosion-proof junction box	1	Copper-free aluminium (Ex d IIC)	BHD51-F	0.80
	⑦ Straight pipe (M25 x 1.5)	1	Length: 300mm	81G01	0.41
	⑧ BGJ-III Explosion-proof connector	1	M25x1.5(F)/M25x1.5(M) Carbon steel	81D03	0.26
	⑨ Explosion-proof connector	1	M25x1.5(F)/M25x1.5(M) Carbon steel	51G201	0.22

Note: Accessories not in the table shall be supplied by user.

