

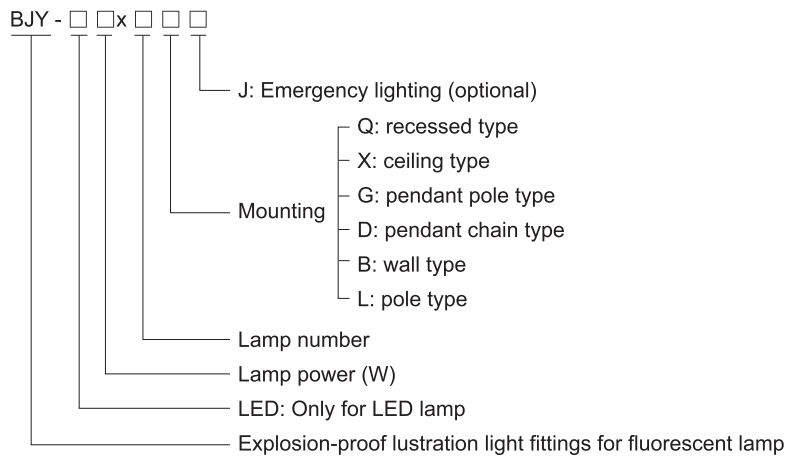
Light Fittings for Fluorescent Lamp

BJY Series Explosion-proof Lustration Light Fittings for Fluorescent Lamp



- ◆ Explosion protection to
 - CENELEC
 - IEC
 - NEC
- ◆ Can be used in
 - Zone 1 and Zone 2
 - Zone 21 and Zone 22
 - Class I, Zone 1 and Zone 2
 - Class I, Division 2, Groups A, B, C, D
- ◆ Two protection type: "Ex e q" and "Ex nA"; Two enclosure types for "Ex e q", six enclosure types for "Ex nA".
- ◆ No "Ex e q" protection for LED light fittings
- ◆ Toughened glass transparent cover, high light transmittance, resistance to high energy impact and thermal fusion.
- ◆ Enclosure is formed of stainless steel.
- ◆ Built-in electronic ballast, power factor ≥ 0.95 .
- ◆ LED driver, wide voltage input, CC-CV (constant current - constant voltage) output, power factor ≥ 0.95 .
- ◆ End of lamp life (EOL) rectification effect protection.
- ◆ Emergency functions is available on request.

■ Catalogue number logic



Zones 1&2; 21&22

Light Fittings for Fluorescent Lamp

BJY Series Explosion-proof Lustration Light Fittings for Fluorescent Lamp

Technical data

Explosion-proof lustration light fittings for fluorescent lamp BJY-□□ × □□□

Explosion protection

Gas explosion protection

⊕ II 3 G Ex nA IIC T4 Gc ⊕ II 2 G Ex e q IIC T4 Gb

Dust explosion protection

⊕ II 2 D Ex tb IIIC T80°C Db IP66

Certificates

ATEX and IECEx (applied for); PCEC (China)

Conformity to standards

EN 60079-0, EN 60079-5, EN 60079-7, EN 60079-15, EN 60079-31
IEC 60079-0, IEC 60079-5, IEC 60079-7, IEC 60079-15, IEC 60079-31

Material

Enclosure

Stainless steel

Glass cover

Toughened glass, stands 4J impact

Ballast

Electronic ballast, power factor ≥ 0.95

LED driver

Wide voltage input, CC-CV (constant current - constant voltage) output, power factor ≥ 0.95

Exposed fastener

Stainless steel

Lamp

Available lamp and power
(the lamp tube is supplied with light fittings)

Lamp	“Ex e q” type	“Ex nA” type
T8 fluorescent lamp	18W×1, 36W×1 18W×2, 36W×2	18W×1, 36W×1, 58W×1 18W×2, 36W×2, 58W×2
LED lamp	—	9W×1, 18W×1, 28W×1 9W×2, 18W×2, 28W×2

Colour Temperature (CCT)

Cool white: 5400~6500K

Note: cool white is available in general. Warm white (2700~3500K) or nature white (4700~5400K) is optional, please specify when ordering.

Rated voltage

“Ex e q” type

96-254V AC 50/60Hz

“Ex nA” type

T8: 100~300V AC 50/60Hz; LED: 110~265V AC 50/60Hz

Degree of protection

IP66

Ambient temperature

-40°C~+55°C

Terminal

3 x 1.5~4mm² (L+N+PE)

Cable entries

2 x Φ21: 2 x M20 x 1.5 cable glands (DQM-I Ex e, plastic)

Available cable outer diameter

Φ6~Φ12 (mm)

Emergency data

Emergency unit

Special emergency controller and Ni-MH battery pile, with protection against over-charge and overdischarge

Emergency power (W)

T8: 18W x 1, 36W x 1, 58W x 1; LED: 9W x 1, 18W x 1, 28W x 1

Emergency starting time

0.3s

Charging time

24h

Emergency lighting time

120min (180min is optional)



Photometric data Note: LED luminous flux is from the standard product of which colour temperature is 5400 to 6500K (cool white).

BJY-□□ × 1□□

Rated luminous flux

T8: 18Wx1: 1300lm

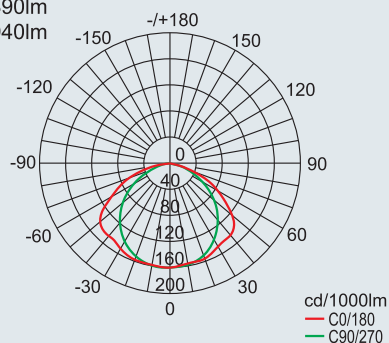
T8: 36Wx1: 3250lm

T8: 58Wx1: 5000lm

LED: 9Wx1: 945lm

LED: 18Wx1: 1890lm

LED: 28Wx1: 2940lm



BJY-□□ × 2□□

Rated luminous flux

T8: 18Wx2: 2600lm

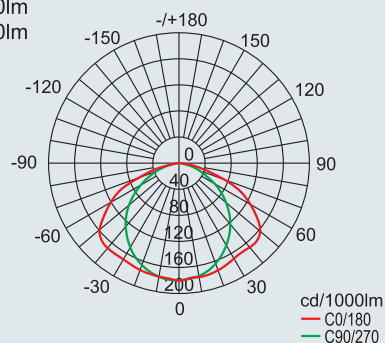
T8: 36Wx2: 6500lm

T8: 58Wx2: 10000lm

LED: 9Wx2: 1890lm

LED: 18Wx2: 3780lm

LED: 28Wx2: 5880lm



We can provide lighting design and data by professional lighting software DIALUX based upon simulated site situation on request.

Light Fittings for Fluorescent Lamp

BJY Series Explosion-proof Lustration Light Fittings for Fluorescent Lamp

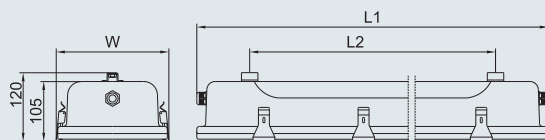
Selection table

Type / Ordering code	Lamp power(W)	Weight(kg)		Type / Ordering code	Lamp power(W)	Weight(kg)		Type / Ordering code	Lamp power(W)	Weight(kg)	
		"Ex e q" type	"Ex nA" type			"Ex e q" type	"Ex nA" type			"Ex e q" type	"Ex nA" type
BJY-18 x 1X	18x1	5.30	3.25	BJY-36 x 1X	36x1	8.60	5.70	BJY-58 x 1X	58x1	-	6.95
BJY-18 x 1G	18x1	5.50	3.45	BJY-36 x 1G	36x1	8.75	5.85	BJY-58 x 1G	58x1	-	7.15
BJY-18 x 1D	18x1	5.60	3.60	BJY-36 x 1D	36x1	8.90	6.00	BJY-58 x 1D	58x1	-	7.30
BJY-18 x 1B	18x1	5.65	3.60	BJY-36 x 1B	36x1	8.95	6.05	BJY-58 x 1B	58x1	-	7.35
BJY-18 x 1L	18x1	5.30	3.30	BJY-36 x 1L	36x1	9.65	5.70	BJY-58 x 1L	58x1	-	6.95
BJY-18 x 1Q	18x1	5.30	3.25	BJY-36 x 1Q	36x1	8.60	5.70	BJY-58 x 1Q	58x1	-	6.95
BJY-18 x 2X	18x2	5.40	4.40	BJY-36 x 2X	36x2	8.75	7.55	BJY-58 x 2X	58x2	-	9.15
BJY-18 x 2G	18x2	5.60	4.60	BJY-36 x 2G	36x2	8.90	7.70	BJY-58 x 2G	58x2	-	9.35
BJY-18 x 2D	18x2	5.70	4.70	BJY-36 x 2D	36x2	9.05	7.85	BJY-58 x 2D	58x2	-	9.50
BJY-18 x 2B	18x2	5.75	4.75	BJY-36 x 2B	36x2	9.10	7.90	BJY-58 x 2B	58x2	-	9.50
BJY-18 x 2L	18x2	5.40	4.40	BJY-36 x 2L	36x2	8.80	7.60	BJY-58 x 2L	58x2	-	9.20
BJY-18 x 2Q	18x2	5.40	4.40	BJY-36 x 2Q	36x2	8.75	7.55	BJY-58 x 2Q	58x2	-	9.15
BJY-LED 9 x 1X	9x1	-	3.15	BJY-LED 18 x 1X	18x1	-	5.60	BJY-LED 28 x 1X	28x1	-	6.85
BJY-LED 9 x 1G	9x1	-	3.35	BJY-LED 18 x 1G	18x1	-	5.75	BJY-LED 28 x 1G	28x1	-	7.05
BJY-LED 9 x 1D	9x1	-	3.50	BJY-LED 18 x 1D	18x1	-	5.90	BJY-LED 28 x 1D	28x1	-	7.20
BJY-LED 9 x 1B	9x1	-	3.50	BJY-LED 18 x 1B	18x1	-	5.95	BJY-LED 28 x 1B	28x1	-	7.25
BJY-LED 9 x 1L	9x1	-	3.20	BJY-LED 18 x 1L	18x1	-	5.60	BJY-LED 28 x 1L	28x1	-	6.90
BJY-LED 9 x 1Q	9x1	-	3.15	BJY-LED 18 x 1Q	18x1	-	5.60	BJY-LED 28 x 1Q	28x1	-	6.85
BJY-LED 9 x 2X	9x2	-	4.30	BJY-LED 18 x 2X	18x2	-	7.45	BJY-LED 28 x 2X	28x2	-	9.05
BJY-LED 9 x 2G	9x2	-	4.45	BJY-LED 18 x 2G	18x2	-	7.65	BJY-LED 28 x 2G	28x2	-	9.25
BJY-LED 9 x 2D	9x2	-	4.60	BJY-LED 18 x 2D	18x2	-	7.76	BJY-LED 28 x 2D	28x2	-	9.40
BJY-LED 9 x 2B	9x2	-	4.65	BJY-LED 18 x 2B	18x2	-	7.80	BJY-LED 28 x 2B	28x2	-	9.40
BJY-LED 9 x 2L	9x2	-	4.30	BJY-LED 18 x 2L	18x2	-	7.50	BJY-LED 28 x 2L	28x2	-	9.05
BJY-LED 9 x 2Q	9x2	-	4.40	BJY-LED 18 x 2Q	18x2	-	7.45	BJY-LED 28 x 2Q	28x2	-	9.05

Note: 1. Products above include all the mounting accessories listed in Mounting Accessories & Spare Parts Table (see P2/39).

Dimension drawings (all dimensions in mm) - subject to alteration

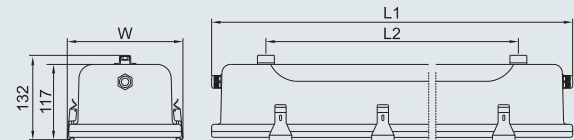
"Ex nA" type



BJY-□x1□, BGY-LED□x1□
BJY-□x2□, BGY-LED□x2□

Type / Ordering code	L1	L2	W
BJY-18x1□, BGY-LED 9x1□	726	482	140
BJY-18x2□, BGY-LED 9x2□	726	482	200
BJY-36x1□, BGY-LED 18x1□	1326	1097	140
BJY-36x2□, BGY-LED 18x2□	1326	1097	200
BJY-58x1□, BGY-LED 28x1□	1626	1397	140
BJY-58x2□, BGY-LED 28x2□	1626	1397	200

"Ex e q" type



BJY-□x1□
BJY-□x2□

Type / Ordering code	L1	L2	W
BJY-18x1□, BGY-18x2□	726	482	200
BJY-36x1□, BGY-36x2□	1326	1097	200

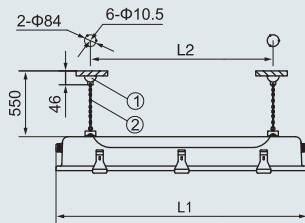
Light Fittings for Fluorescent Lamp

BJY Series Explosion-proof Lustration Light Fittings for Fluorescent Lamp

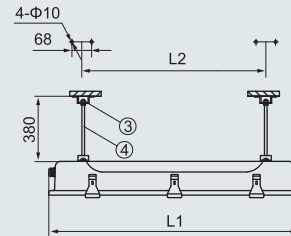
Mounting type (all dimensions in mm) - subject to alteration

Installation reference

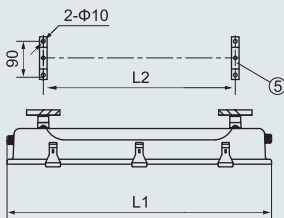
D: pendant chain type



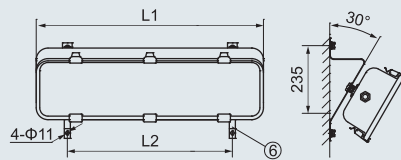
G: pendant pole type



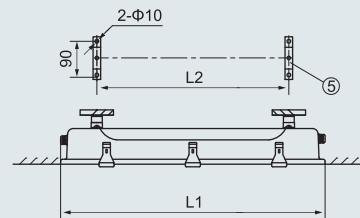
X: ceiling type



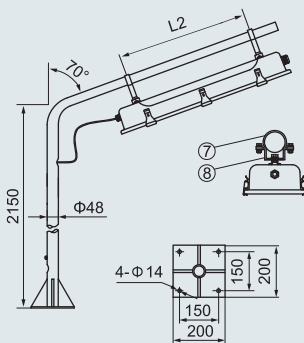
B: wall type



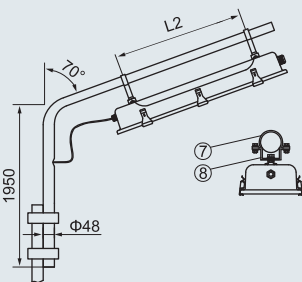
Q: recessed type



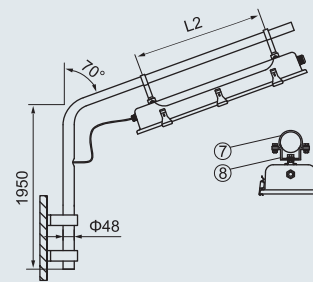
L: pole type (the pole is provided by user)



Suitable for ground pole type



Suitable for fence pole type



Suitable for wall pole type



Mounting Accessories & Spare Parts Table

Supplied according to the mounting type

Mounting type	Accessories			Ordering code	Weight (kg)
	Name	Qty	Illustration		
D: pendant chain type	①.Sucker	2	See P2/8	5136017	0.15
	②.Chain	2	Length: 450mm	5136016	0.08
G: pendant pole type	③.Mounting bracket	2	See P2/8	51S01G1	0.04
	④.M8 Screw	2	Length: 350mm	51S01G2	0.12
X: ceiling type	⑤.Mounting bracket	2	See P2/9	5136030	0.07
B: wall type	⑥.Wall bracket	2	Welded sheet steel	5236B02	0.25
Q:recessed type	⑤.Mounting bracket	2	See P2/9	5136030	0.07
L: pole type	⑦.G1 1/2" Pipe clamp	2	See P2/9	5136014	0.04
	⑧.Mounting bracket	2	See P2/9	5136012	0.04

Note: Accessories not in the table shall be supplied by user.