

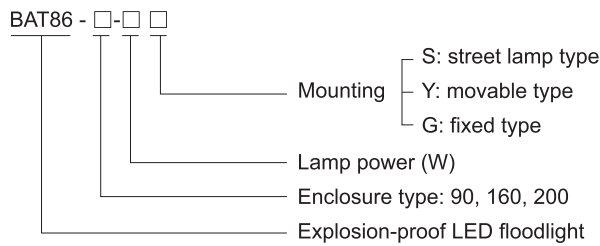
LED Light Fittings

BAT86 Series Explosion-proof LED Floodlights



- ◆ Explosion protection to
 - CENELEC
 - IEC
 - NEC
- ◆ Can be used in
 - Zone 1 and Zone 2
 - Zone 21 and Zone 22
 - Class I, Zone 1 and Zone 2
 - Class I, Division 1, Groups B, C, D
- ◆ Three enclosure types: 90, 160, 200
- ◆ Applicable lamp and power (max.200W)
 - LED: 60W, 90W, 120W, 160W, 200W
- ◆ Isolated LED lamp compartment, CC-CV (constant current - constant voltage) power controller compartment and terminal compartment; Wind-convection heat dissipation structure.
- ◆ Standard product is of floodlight effect, lens of 40° and 60° can be provided on request to realize spotlight effect.
- ◆ 160 type lightings adopt light fitting integrated two lamps, the power of whole machine is of 2x120W,2X160W.

Catalogue number logic



Selection table

Type / Ordering code	Lamp power(W)	Weight (kg)	Type / Ordering code	Lamp power(W)	Weight (kg)	Type / Ordering code	Lamp power(W)	Weight (kg)
BAT86-90-60G	60	6.70	BAT86-90-60Y	60	8.50	BAT86-90-60S	60	7.55
BAT86-90-90G	90	6.70	BAT86-90-90Y	90	8.50	BAT86-90-90S	90	7.55
BAT86-160-120G	120	8.40	BAT86-160-120Y	120	10.20	BAT86-160-120S	120	9.25
BAT86-160-160G	160	8.40	BAT86-160-160Y	160	10.20	BAT86-160-160S	160	9.25
BAT86-200-160G	160	13.5	BAT86-200-160Y	160	16.00	BAT86-200-160S	160	14.35
BAT86-200-200G	200	13.5	BAT86-200-200Y	200	16.00	BAT86-200-200S	200	14.35

Note: 1. The product is supplied according to "Type/Ordering code" in the table with mounting accessories.

2. The light fittings are supplied without lens. Lighting distribution is of floodlight. Lens of 40° and 60° can be provided on request. Please specify when ordering.

Zones 1&2; 21&22

LED Light Fittings

BAT86 Series Explosion-proof LED Floodlights

Technical data

Explosion-proof LED floodlights BAT86-90-□□

Explosion protection

Gas explosion protection

⊕ II 2 G Ex db IIB+H2 T6/T5 Gb

Dust explosion protection

⊕ II 2 D Ex tb IIIC T80°C/T95°C Db IP65

Certificates

EPT 15 ATEX 2300X; IECEX CQM 15.0033X; KZ.7500525.22.01.00380 (CU-TR)

Conformity to standards

EN 60079-0, EN 60079-1, EN 60079-31

IEC 60079-0, IEC 60079-1, IEC 60079-31

Material

Enclosure

Copper-free aluminium, powder coated surface, yellow (RAL1021)

Glass cover

Toughened glass, stands 4J impact

LED driver

Wide voltage input, CC-CV (constant current - constant voltage) output, power factor ≥ 0.95 , with function of distributed current, constant current, surge-proof and anti-electromagnetic interference, and protection against overcurrent, open circuit, and short circuit

Exposed fastener

Stainless steel

Lamp

Lamp specification

International brand of integrated LED, Multiple LED

Lamp power (W)

60W, 90W (50W and 70W are optional)

Colour Temperature (CCT)

Cool white: 5400~6500K

Note: cool white is available in general. Warm white (2700~3500K) or nature white (4700~5400K) is optional, please specify when ordering.

Rated voltage

100~300V AC 50/60Hz

Earthing protection

M5 (internal & external earth bolts)

Degree of protection

IP65

Ambient temperature

T6/T80°C for Tamb: -40°C~+40°C

T5/T95°C for Tamb: -40°C~+55°C

Terminal

3 x 1.5~4mm² (L+N+PE)

Mounting

Movable type, fixed type, street lamp type

Cable entries

2 x M25 x 1.5 plugs

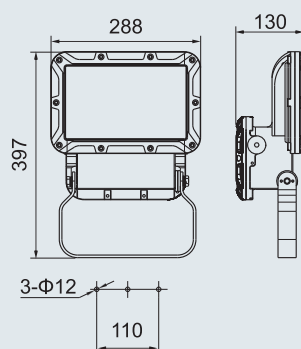
Cable gland

DQM-II (Ex d) or DQM-III (Ex d) is recommended. Please see P7/20~27

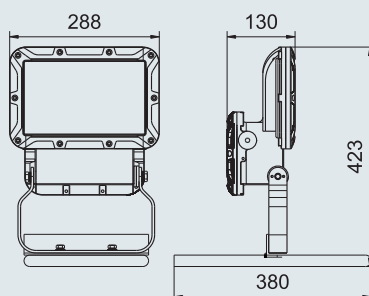


Dimension drawings (all dimensions in mm) - subject to alteration

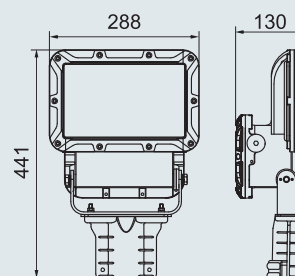
G: fixed type



Y: movable type



S: street lamp type



LED Light Fittings

BAT86 Series Explosion-proof LED Floodlights

Technical data

Explosion-proof LED floodlights BAT86-160-□□

Explosion protection

Gas explosion protection
Dust explosion protection

⊕ II 2 G Ex d IIB T□¹⁾ Gb
⊕ II 2 D Ex tb IIIC T□¹⁾ Db IP66
¹⁾ See Ambient temperature

Certificates

LCIE 14 ATEX 3023X; IECEX CQM 14.0008X; KZ.7500525.22.01.00380 (CU-TR)

Conformity to standards

EN 60079-0, EN 60079-1, EN 60079-31
IEC 60079-0, IEC 60079-1, IEC 60079-31

Material

Enclosure
Glass cover
LED driver

Copper-free aluminium, powder coated surface, yellow (RAL1021)

Toughened glass, stands 4J impact

Wide voltage input, CC-CV (constant current - constant voltage) output, power factor ≥ 0.95 , with function of distributed current, constant current, surge-proof and anti-electromagnetic interference, and protection against overcurrent, open circuit, and short circuit

Exposed fastener

Stainless steel

Lamp

Lamp specification
Lamp power (W)
Colour Temperature (CCT)

International brand of integrated LED, Multiple LED

120W, 160W (100W is optional)

Cool white: 5400~6500K

Note: cool white is available in general. Warm white (2700~3500K) or nature white (4700~5400K) is optional, please specify when ordering.

Rated voltage

100~300V AC 50/60Hz

Earthing protection

M5 (internal & external earth bolts)

Degree of protection

IP66, IP67(optional)

Ambient temperature

120W T6/T80°C for Tamb: -40°C~+40°C

160W T5/T95°C for Tamb: -40°C~+40°C

120W T5/T95°C for Tamb: -40°C~+55°C

160W T4/T130°C for Tamb: -40°C~+55°C

Terminal

3 x 1.5~4mm² (L+N+PE)

Mounting

Movable type, fixed type, street lamp type

Cable entries

2 x M25 x 1.5 plugs

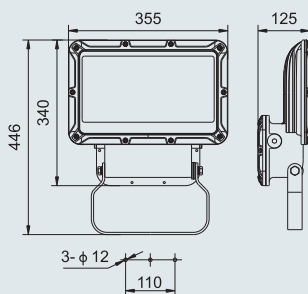
Cable gland

DQM-II (Ex d) or DQM-III (Ex d) is recommended. Please see P7/20~27

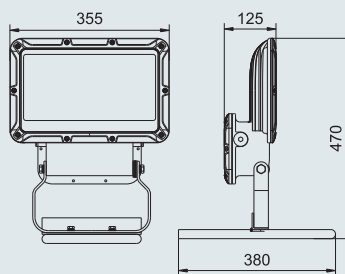


Dimension drawings (all dimensions in mm) - subject to alteration

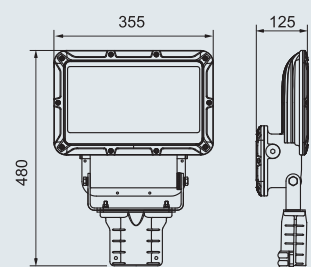
G: fixed type



Y: movable type



S: street lamp type



LED Light Fittings

BAT86 Series Explosion-proof LED Floodlights

Technical data

Explosion-proof LED floodlights BAT86-200-□□

Explosion protection

- Gas explosion protection
- Dust explosion protection

Ex II 2 G Ex d IIB+H₂ T5 Gb

Ex II 2 D Ex tb IIIC T95°C Db IP66

Certificates

ATEX and IECEx (applied for)

Conformity to standards

EN 60079-0, EN 60079-1, EN 60079-31

IEC 60079-0, IEC 60079-1, IEC 60079-31

Material

- Enclosure
- Glass cover
- LED driver

Copper-free aluminium, powder coated surface, yellow (RAL1021)

Toughened glass, stands 4J impact

Wide voltage input, CC-CV (constant current - constant voltage) output, power factor ≥ 0.95 , with function of distributed current, constant current, surge-proof and anti-electromagnetic interference, and protection against overcurrent, open circuit, and short circuit

- Exposed fastener

Stainless steel

Lamp

- Lamp specification
- Lamp power (W)
- Colour Temperature (CCT)

International brand of integrated LED, Multiple LED

160W, 200W

Cool white: 5400~6500K

Note: cool white is available in general. Warm white (2700~3500K) or nature white (4700~5400K) is optional, please specify when ordering.

Rated voltage

100~300V AC 50/60Hz

Earthing protection

M5 (internal & external earth bolts)

Degree of protection

IP66, IP67(optional)

Ambient temperature

-40°C~+55°C

Terminal

3 x 1.5~4mm² (L+N+PE)

Mounting

Movable type, fixed type, street lamp type

Cable entries

2 x M25 x 1.5 plugs

Cable gland

DQM-II (Ex d) or DQM-III (Ex d) is recommended. Please see P7/20~27

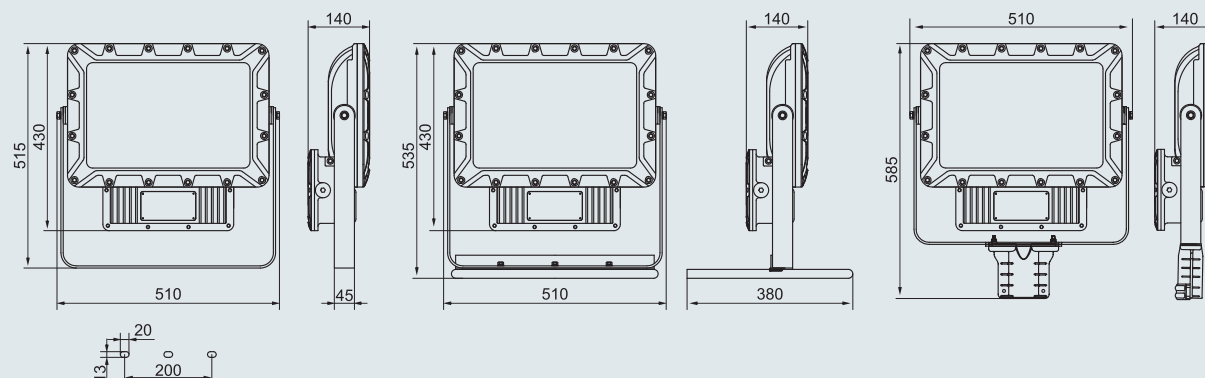


Dimension drawings (all dimensions in mm) - subject to alteration

G: fixed type

Y: movable type

S: street lamp type

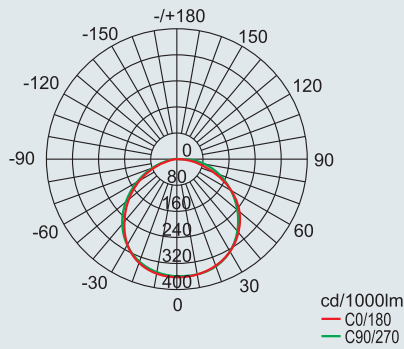


LED Light Fittings BAT86 Series Explosion-proof LED Floodlights

Photometric data Note: LED luminous flux is from the standard product of which colour temperature is 5400 to 6500K (cool white).

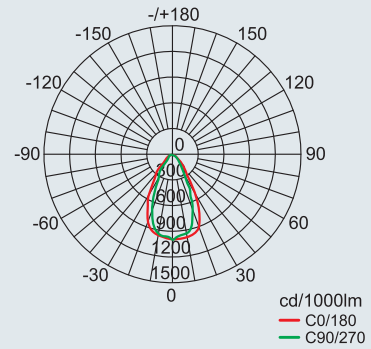
BAT86-90-□□

Rated luminous flux
60W LED: 5600lm
90W LED: 8500lm



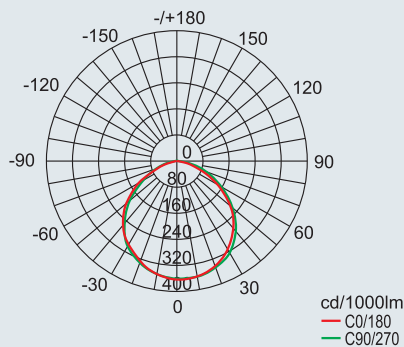
BAT86-90-□□(With 60° lens)

Rated luminous flux
60W LED: 5600lm
90W LED: 8500lm
Note: Lens of 40° and 25° can be provided on request.



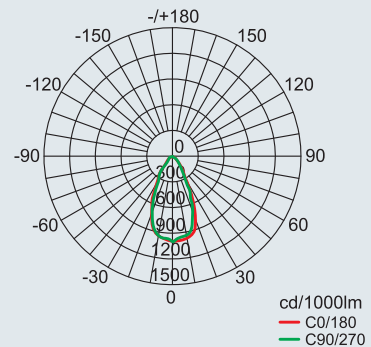
BAT86-160-□□

Rated luminous flux
120W LED: 11000lm
160W LED: 15000lm



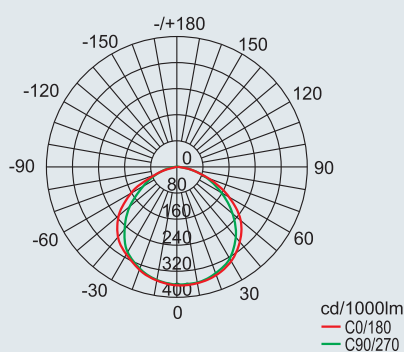
BAT86-160-□□(With 60° lens)

Rated luminous flux
120W LED: 11000lm
160W LED: 15000lm
Note: Lens of 40° and 25° can be provided on request.



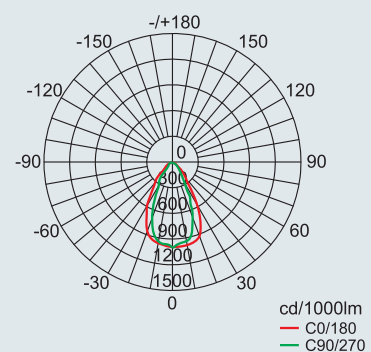
BAT86-200-□□

Rated luminous flux
160W LED: 16000lm
200W LED: 20000lm



BAT86-200-□□(With 60° lens)

Rated luminous flux
160W LED: 16000lm
200W LED: 20000lm
Note: Lens of 40° and 25° can be provided on request.

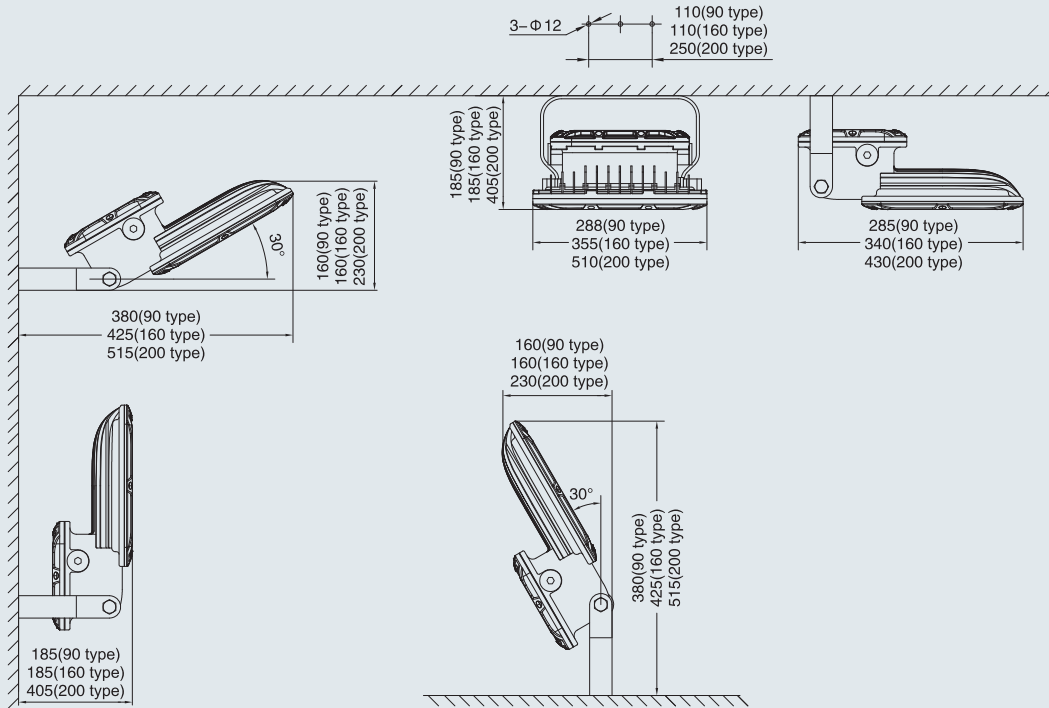


We can provide lighting design and data by professional lighting software DIALUX based upon simulated site situation on request.

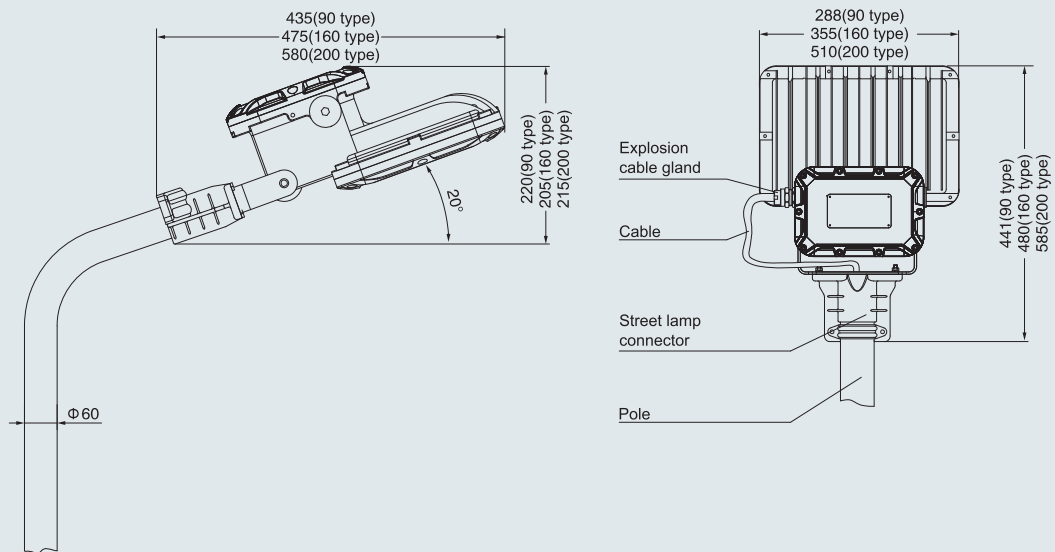
LED Light Fittings BAT86 Series Explosion-proof LED Floodlights

Mounting type (all dimensions in mm) - subject to alteration

bracket type

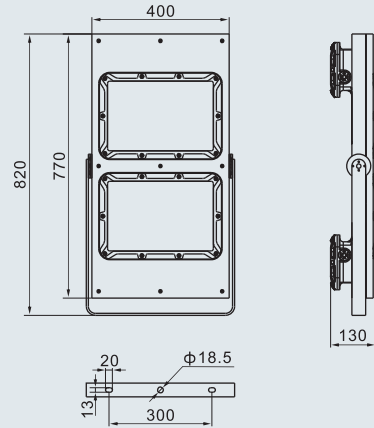


street lamp type



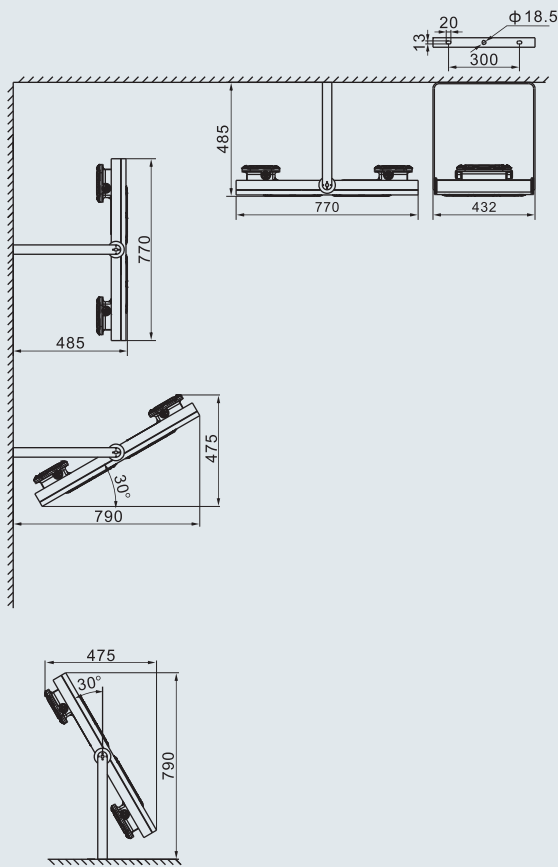
LED Light Fittings BAT86 Series Explosion-proof LED Floodlights

The description of light fitting integrated two lamps (2x120W, 2X160W)

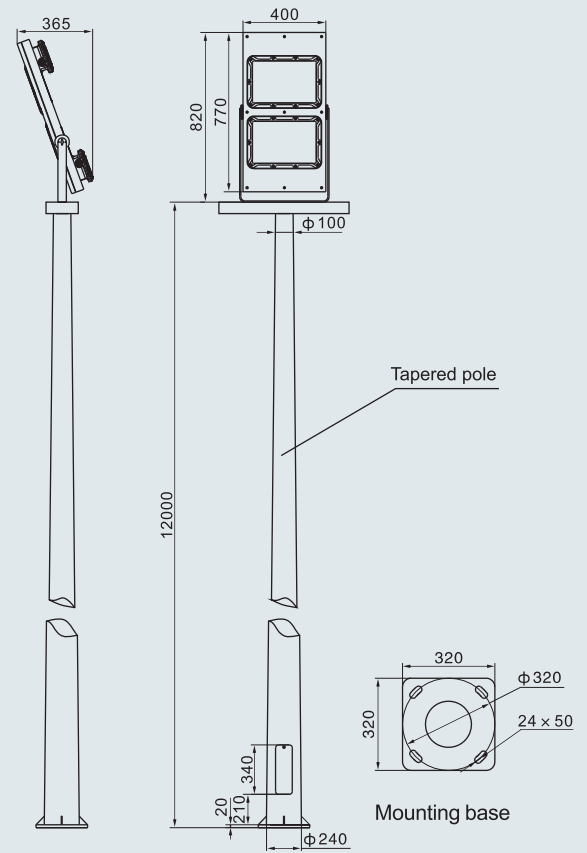


Mounting types

Bracket type



Street lamp type



LED Light Fittings

BAT86 Series Explosion-proof LED Floodlights

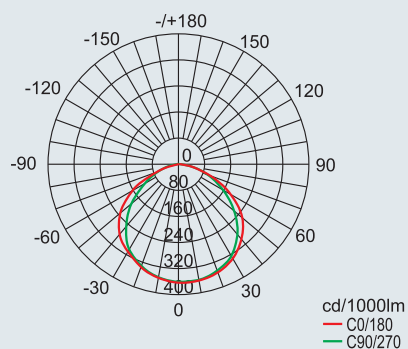
The description of light fitting integrated two lamps (2x120W, 2X160W)

Photometric data Note: LED luminous flux is from the standard product of which colour temperature is 5400 to 6500K (cool white).

BAT86-160-□□

Note: Measuring parameters of light fitting integrated two lamps

Rated luminous flux
 2 × 120W LED: 22000lm
 2 × 160W LED: 30000lm

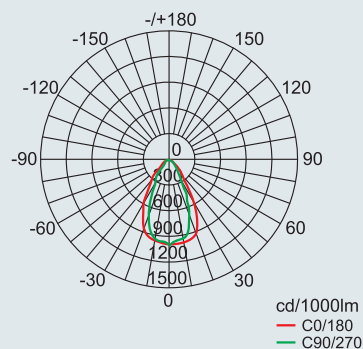


BAT86-160-□□(With 60° lens)

Note: Measuring parameters of light fitting integrated two lamps

Rated luminous flux
 2 × 120W LED: 22000lm
 2 × 160W LED: 30000lm

Note: Lens of 40° and 25° can be provided on request.



We can provide lighting design and data by professional lighting software DIALUX based upon simulated site situation on request.