

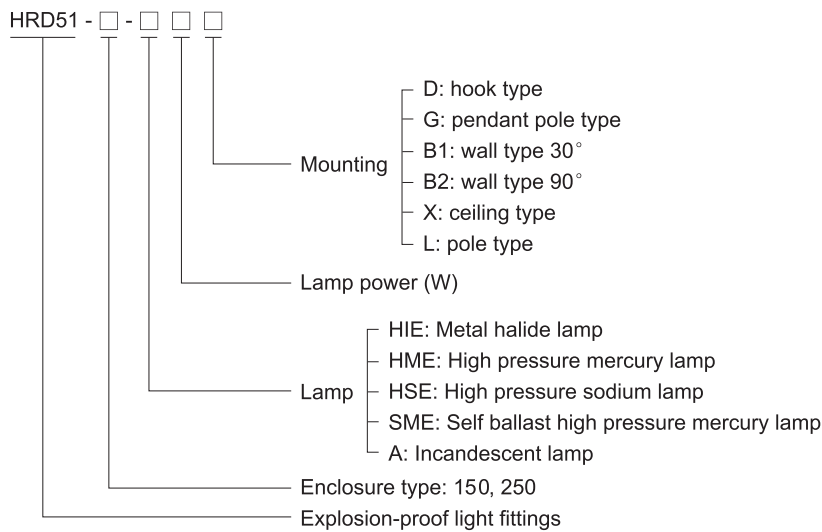
Pendant Light Fittings

HRD51 Series Explosion-proof Light Fittings



- ◆ Explosion protection to
 - CENELEC
 - IEC
 - NEC
- ◆ Can be used in
Zone 1 and Zone 2
- ◆ Available lamp:
 - Metal halide lamp (HIE)
 - High pressure mercury lamp (HME)
 - High pressure sodium lamp (HSE)
 - Self ballast high pressure mercury lamp (SME)
 - Incandescent lamp (A)
- ◆ Two enclosure types: 150, 250.
- ◆ Fast opening, easy maintenance.
- ◆ Powder coated wire guard, white.
- ◆ Toughened glass cover resistant to temperature changes.

Catalogue number logic



Selection table

Type/Ordering code	Available lamp power (W)					Lamp holder	Weight (kg)
	HIE	HME	SME	HSE	A		
HRD51-150	70, 100, 150	80, 125	125, 160	70, 100	200	E27	5.20
HRD51-250	175, 250	175, 250	250	150, 250	300	E40	6.10

Note

1. Mounting accessories are not supplied with light fittings. Please specify when ordering (See Mounting Accessories & Spare Parts Table on P2/79)
2. The light fittings are supplied without lamp. PHILIPS lamps are recommended.
3. BAZ51 explosion-proof ballast is optional. See P2/140~141.
4. The light fittings are supplied without external reflector. Please specify when ordering.

Zones 1&2

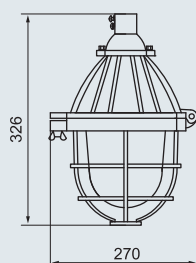
Pendant Light Fittings

HRD51 Series Explosion-proof Light Fittings

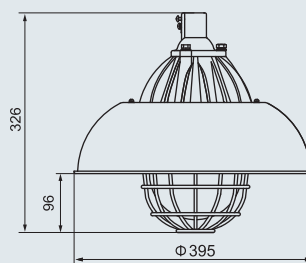
Technical data	
Explosion-proof light fittings	HRD51-150-□□□
Explosion protection	⊕ II 2 G Ex d IIB T4
Certificates	PTB 03 ATEX 1077; IECEx CQM 07.0010
Conformity to standards	EN 50014, EN 50018 IEC 60079-0, IEC 60079-1
Material	
Enclosure	Copper-free aluminium, powder coated surface, yellow (RAL1021)
Wire guard	Powder coated carbon steel, white
Transparent cover	Toughened glass, stands 4J impact
Internal reflector	High-purity aluminium
External reflector(optional)	Pure aluminium, anodic-oxidation treatment for surface
Exposed fastener	Stainless steel
Lamp	
Lamp holder	E27
Available lamp and lamp power (W)	HIE: 70W, 100W, 150W HME: 80W, 125W SME: 125W, 160W HSE: 70W, 100W A: 200W
Rated voltage	220~240V AC 50/60Hz
Earthing protection	M5 (internal & external earth bolts)
Degree of protection	IP65
Ambient temperature	-20°C~+55°C
Terminal	3 x 1.5~2.5mm ² (L+N+PE)
Cable entries	G3/4" (NPT G3/4" or M25x1.5 with connector on request)
Cable gland	See Mounting Accessories & Spare Parts Table
Available cable outer diameter	Φ 10~Φ 14 (mm)



Dimension drawings (all dimensions in mm) - subject to alteration



HRD51-150



HRD51-150 with external reflector

Pendant Light Fittings

HRD51 Series Explosion-proof Light Fittings

Technical data

Explosion-proof light fittings

HRD51-250 - □□□

Explosion protection

Ex II 2 G Ex d IIB T4 Gb

Certificates

PCEC(China)

Conformity to standards

IEC 60079-0, IEC 60079-1

Material

Enclosure

Copper-free aluminium, powder coated surface, yellow (RAL1021)

Wire guard

Powder coated carbon steel, white

Transparent cover

Toughened glass, stands 4J impact

Internal reflector

High-purity aluminium

External reflector(optional)

Pure aluminium, anodic-oxidation treatment for surface

Exposed fastener

Stainless steel

Lamp

Lamp holder

E40

Available lamp and lamp power (W)

HIE: 175W, 250W

HME: 175W,250W

SME: 250W

HSE: 150W, 250W

A: 300W

Rated voltage

220~240V AC 50/60Hz

Earthing protection

M5 (internal & external earth bolts)

Degree of protection

IP65

Ambient temperature

-20°C~+55°C

Terminal

3 x 1.5~2.5mm² (L+N+PE)

Cable entries

G3/4" (NPT G3/4" or M25x1.5 with connector on request)

Cable gland

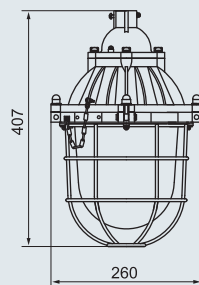
See Mounting Accessories & Spare Parts Table

Available cable outer diameter

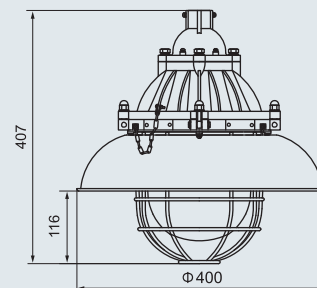
Φ 10~Φ 14 (mm)



Dimension drawings (all dimensions in mm) - subject to alteration



HRD51-250



HRD51-250 with external reflector

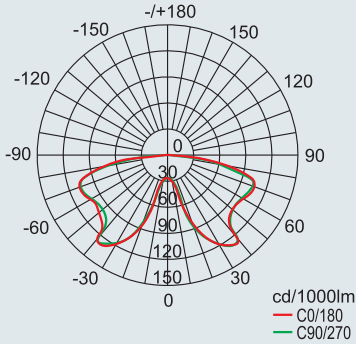
Pendant Light Fittings HRD51 Series Explosion-proof Light Fittings

Photometric data



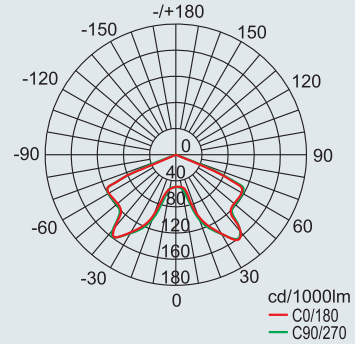
HRD51-150-□□□ (Without external reflector)

Rated luminous flux
 70W High pressure sodium lamp: 6600 lm
 100W High pressure sodium lamp: 10200 lm
 70W Metal halide lamp: 5000 lm
 100W Metal halide lamp: 9000 lm
 150W Metal halide lamp: 13500 lm
 80W High pressure mercury lamp: 3800 lm
 125W High pressure mercury lamp: 6300 lm
 The data from Philips lamp



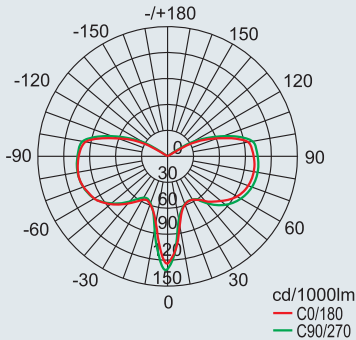
HRD51-150-□□□ (With external reflector)

Rated luminous flux
 70W High pressure sodium lamp: 6600 lm
 100W High pressure sodium lamp: 10200 lm
 70W Metal halide lamp: 5000 lm
 100W Metal halide lamp: 9000 lm
 150W Metal halide lamp: 13500 lm
 80W High pressure mercury lamp: 3800 lm
 125W High pressure mercury lamp: 6300 lm
 The data from Philips lamp



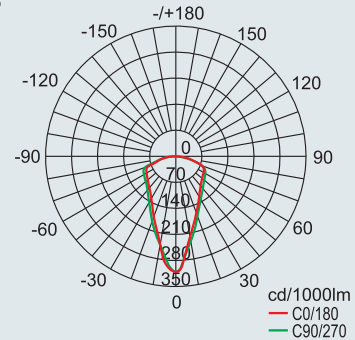
HRD51-250-□□□ (Without external reflector)

Rated luminous flux
 150W High pressure sodium lamp: 18000 lm
 250W High pressure sodium lamp: 33200 lm
 175W Metal halide lamp: 16000 lm
 250W Metal halide lamp: 23500 lm
 175W High pressure mercury lamp: 7350 lm
 250W High pressure mercury lamp: 13000 lm
 The data from Philips lamp



HRD51-250-□□□ (With external reflector)

Rated luminous flux
 150W High pressure sodium lamp: 18000 lm
 250W High pressure sodium lamp: 33200 lm
 175W Metal halide lamp: 16000 lm
 250W Metal halide lamp: 23500 lm
 175W High pressure mercury lamp: 7350 lm
 250W High pressure mercury lamp: 13000 lm
 The data from Philips lamp



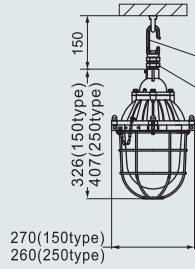
We can provide lighting design and data by professional lighting software DIALUX based upon simulated site situation on request.

Pendant Light Fittings HRD51 Series Explosion-proof Light Fittings

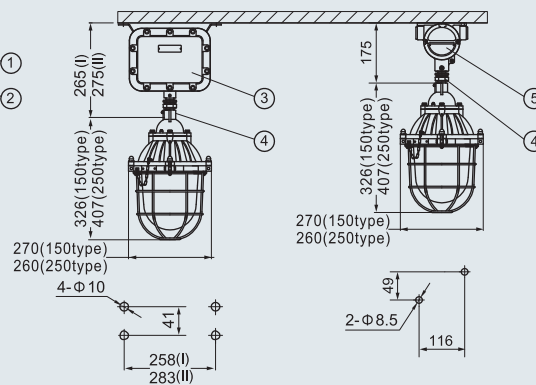
Mounting type (all dimensions in mm) – subject to alteration

Installation reference

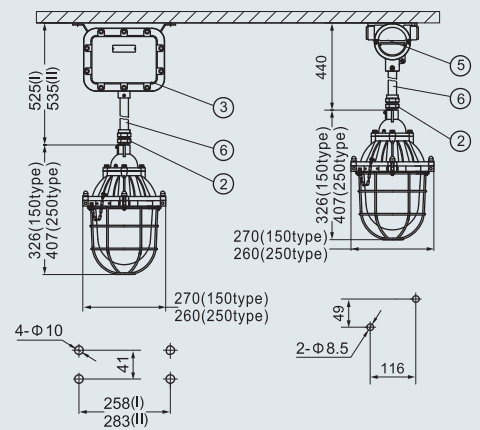
D: hook type



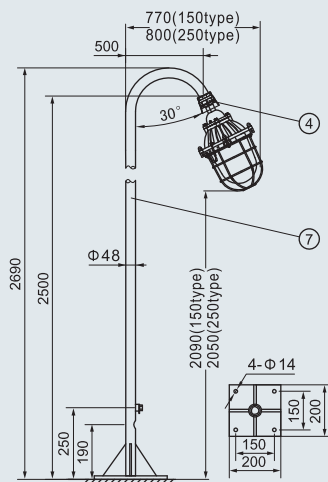
X: ceiling type



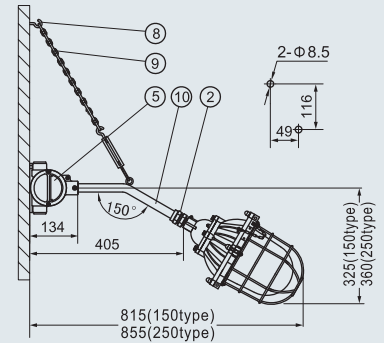
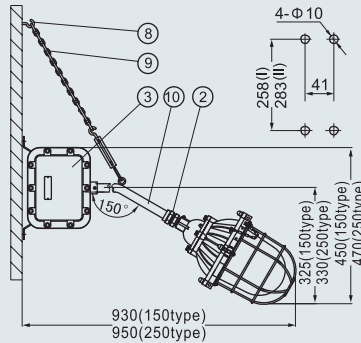
G: pendant pole type



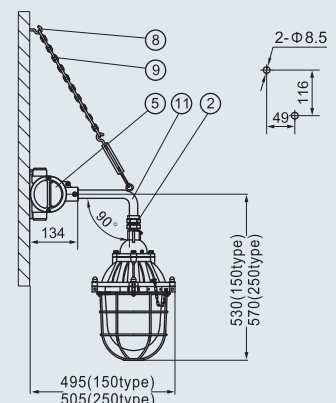
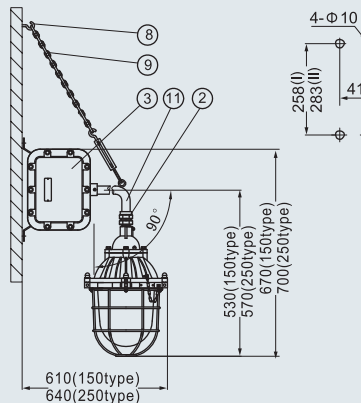
L: pole type



B1: wall type 30°



B2: wall type 90°

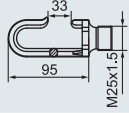
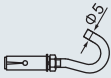


Pendant Light Fittings

HRD51 Series Explosion-proof Light Fittings

Mounting Accessories & Spare Parts Table

Supplied according to the mounting type

Mounting type	Accessories			Ordering code	Weight (kg)
	Name	Qty	Illustration		
D: hook type	①.Hook (carbon steel)	1		61020	0.20
	②.BGJ-III Explosion-proof connector	1	G3/4" (M)/M25 x 1.5(F) , Carbon steel	81D02	0.26
X: ceiling type	③.BAZ51 Explosion-proof ballast	1	BAZ51-II for HRD51-250-HIE250; BAZ51-I for others	BAZ51-I/II	see P2/140
	④.BGJ-III Explosion-proof connector	1	M25 x 1.5(M)/ G3/4" (M) , Carbon steel	81X01	0.30
	⑤.BHD51-F Explosion-proof junction box	1	Copper-free aluminium(Ex d IIC)	BHD51-F	0.80
G: pendant pole type	②.BGJ-III Explosion-proof connector	1	G3/4" (M)/M25 x 1.5(F), Carbon steel	81D02	0.26
	③.BAZ51 Explosion-proof ballast	1	BAZ51-II for HRD51-250-HIE250; BAZ51-I for others	BAZ51-I/II	see P2/140
	⑤.BHD51-F Explosion-proof junction box	1	Copper-free aluminium (Ex d IIC)	BHD51-F	0.80
	⑥.Straight pipe (M25 x 1.5)	1	Length: 300mm	51G01	0.41
L: pole type	④.BGJ-III Explosion-proof connector	1	M25 x 1.5 (M)/ G3/4" (M) , Carbon steel	81X01	0.30
	⑦.Pole	1	Φ48mm	81L01	-
B1: wall type 30°	②.BGJ-III Explosion-proof connector	1	G3/4" (M)/M25 x 1.5(F) , Carbon steel	81D02	0.26
	③.BAZ51 Explosion-proof ballast	1	BAZ51-II for HRD51-250-HIE250; BAZ51-I for others	BAZ51-I/II	see P2/140
	⑤.BHD51-F Explosion-proof junction box	1	Copper-free aluminium (Ex d IIC)	BHD51-F	0.80
	⑧.Hook expansion bolt	1		52017	0.03
	⑨.Chain	1	Length: 450mm	80B11	0.08
	⑩.Elbow pipe 30° (M25 x 1.5)	1	Length: 300mm	51021	0.42
B2: wall type 90°	②.BGJ-III Explosion-proof connector	1	G3/4" (M)/M25 x 1.5 (F) , Carbon steel	81D02	0.26
	③.BAZ51 Explosion-proof ballast	1	BAZ51-II for HRD51-250-HIE250; BAZ51-I for others	BAZ51-I/II	see P2/140
	⑤.BHD51-F Explosion-proof junction box	1	Copper-free aluminium (Ex d IIC)	BHD51-F	0.80
	⑧.Hook expansion bolt	1	Same as wall mounting 30°	52017	0.03
	⑨.Chain	1	Length: 450mm	80B11	0.08
	⑪.Elbow pipe 90° (M25 x 1.5)	1	Length: 400mm	51022	0.55

Note: 1. Accessories not in the table shall be supplied by user.

2. Pole ⑦ shall not be supplied with light fittings; if required, please specify when ordering.

