

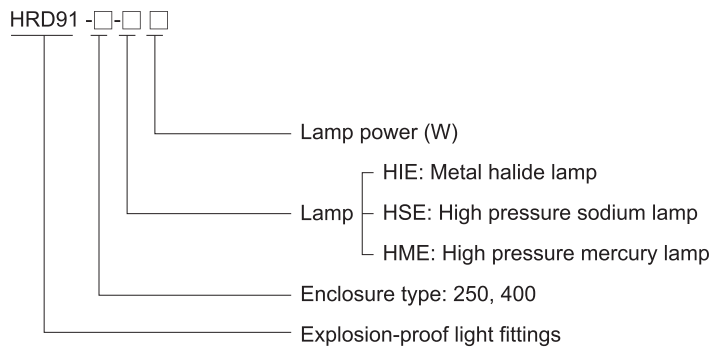
Pendant Light Fittings

HRD91 Series Explosion-proof Light Fittings



- ◆ Explosion protection to
 - CENELEC
 - IEC
 - NEC
- ◆ Can be used in
 - Zone 1 and Zone 2
 - Class I, Zone 1 and Zone 2
 - Class I, Division 2, Groups A, B, C, D
- ◆ Integral control gear, easy installation and maintenance.
- ◆ External terminal compartment, convenient for connection and maintenance.
- ◆ Two enclosure types: 250, 400.
- ◆ External reflector is optional, to increase lighting intensity.
- ◆ Both American standard and European standard are available.

Catalogue number logic



Selection table

Type/Ordering code	Lamp	Available lamp power (W)		Weight (kg)	
		American standard	European standard	American standard	European standard
HRD91 -250	HIE	70, 100, 150, 175, 250	70, 100, 150, 175, 250	14.55~16.55	13.50~14.45
	HSE	70, 100, 150, 250	70, 100, 150, 250	15.20~17.50	13.50~14.45
	HME	-	80, 125, 175, 250	-	14.45
HRD91 -400	HIE	400	400	21.20	20.00
	HSE	400	400	22.30	20.00
	HME	-	400	-	20.00

Note

1. The light fittings are supplied without lamp. PHILIPS lamps are recommended.
2. High pressure mercury lamp is not available in American standard products.
3. The light fittings are supplied without external reflector. Please specify when ordering.

Zones 1&2

Pendant Light Fittings

HRD91 Series Explosion-proof Light Fittings

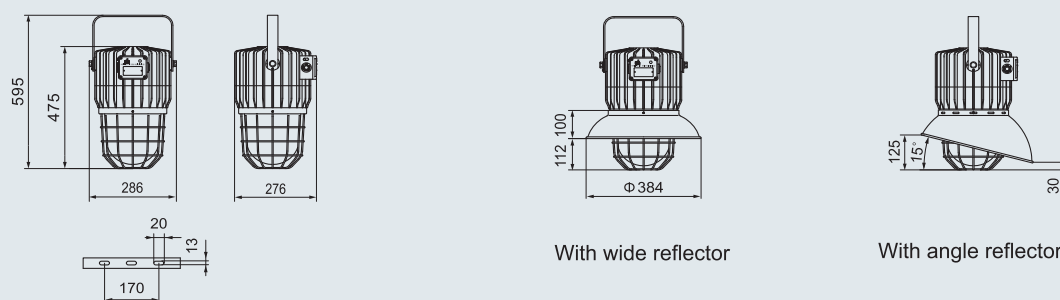
Technical data																														
Explosion-proof light fittings	HRD91-250-□□																													
Explosion protection	Ⓔ II 2 G Ex d e IIC T□ ¹⁾ Gb 1) See Selection table																													
Certificates	LCIE 08 ATEX 6106X; IECEx CQM 08.0019X; FM (USA)																													
Conformity to standards	EN 60079-0, EN 60079-1, EN 60079-7 IEC 60079-0, IEC 60079-1, IEC 60079-7 Class 3600, ANSI/ISA 60079-0, ANSI/ISA 60079-1 ANSI/ISA 60079-7, ANSI/IEC 60529, ANSI/UL 1598																													
Material																														
Enclosure	Copper-free aluminium, powder coated surface, yellow (RAL1021)																													
Transparent cover	Toughened glass, stands 4J impact																													
Internal reflector	High-purity aluminium																													
External reflector (optional)	Pure aluminium, anodic-oxidation treatment for surface																													
Wire guard	Powder coated carbon steel (white)																													
Ballast	Electromagnetic ballast, rapid starting, stable performance																													
Trigger	General trigger																													
Capacitor	Power factor ≥0.90 (compensated)																													
Exposed fastener	Stainless steel																													
Lamp																														
Available lamp and lamp power (w)	<table border="1"> <thead> <tr> <th rowspan="2">Lamp</th> <th colspan="2">American standard</th> <th colspan="2">European standard</th> </tr> <tr> <th colspan="2">Lamp holder</th> <th colspan="2">Lamp holder</th> </tr> <tr> <td></td> <th>E26</th> <th>E39</th> <th>E27</th> <th>E40</th> </tr> </thead> <tbody> <tr> <td>HSE</td> <td>70W, 100W</td> <td>150W, 250W</td> <td>70W, 100W</td> <td>150W, 250W</td> </tr> <tr> <td>HIE</td> <td>70W, 100W, 150W</td> <td>175W, 250W</td> <td>70W, 100W, 150W</td> <td>175W, 250W</td> </tr> <tr> <td>HME</td> <td>-</td> <td>-</td> <td>80W, 125W</td> <td>175W, 250W</td> </tr> </tbody> </table>	Lamp	American standard		European standard		Lamp holder		Lamp holder			E26	E39	E27	E40	HSE	70W, 100W	150W, 250W	70W, 100W	150W, 250W	HIE	70W, 100W, 150W	175W, 250W	70W, 100W, 150W	175W, 250W	HME	-	-	80W, 125W	175W, 250W
Lamp	American standard		European standard																											
	Lamp holder		Lamp holder																											
	E26	E39	E27	E40																										
HSE	70W, 100W	150W, 250W	70W, 100W	150W, 250W																										
HIE	70W, 100W, 150W	175W, 250W	70W, 100W, 150W	175W, 250W																										
HME	-	-	80W, 125W	175W, 250W																										
Rated voltage	American standard: 120V/208V/240V/277V AC 60Hz (50Hz is optional) European standard: 220~240V AC 50Hz (60Hz is optional)																													
Earthing protection	M5 (internal & external earth bolts)																													
Degree of protection	IP65																													
Ambient temperature	-20°C~+55°C																													
Terminal	3 x 1.5~2.5mm ² (L+N+PE)																													
Cable entries	2 x M25 x 1.5 plugs																													
Cable gland(optional)	DQM-I (Ex e) is recommended. Please see P7/17~19																													



Selection table

	Rated power (W)	Temperature classes	American standard	Rated power (W)	Temperature classes
	European standard	HME80W, 125W		T4	
HME175W, 250W		T3	HSE150W, 250W	T3	
HSE70W, 100W		T4	HIE70W, 100W, 150W	T3	
HSE150W, 250W		T3	HIE175W, 250W	T3	
HIE70W, 100W, 150W		T4			
HIE175W, 250W		T3			

Dimension drawings (all dimensions in mm) - subject to alteration



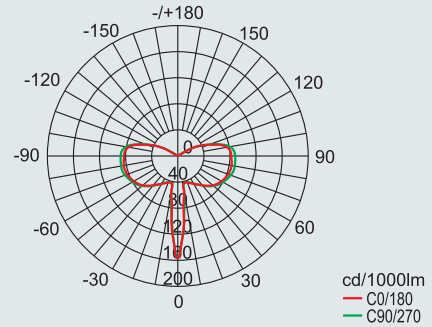
Pendant Light Fittings HRD91 Series Explosion-proof Light Fittings

Photometric data

HRD91-250-□□(Without external reflector)



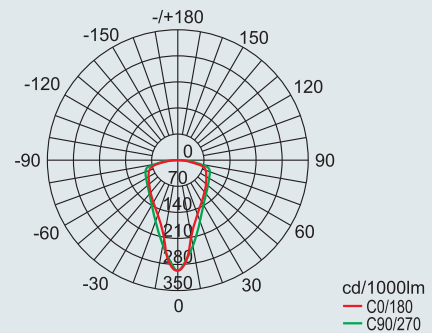
Rated luminous flux
 70W High pressure sodium lamp: 6600 lm
 100W High pressure sodium lamp: 10200 lm
 70W Metal halide lamp: 5000 lm
 100W Metal halide lamp: 9000 lm
 150W Metal halide lamp: 13500 lm
 175W Metal halide lamp: 16000 lm
 250W Metal halide lamp: 23500 lm
 80W High pressure mercury lamp: 3800 lm
 125W High pressure mercury lamp: 6300 lm
 150W High pressure sodium lamp: 18000 lm
 250W High pressure sodium lamp: 33200 lm
 175W High pressure mercury lamp: 7350 lm
 250W High pressure mercury lamp: 13000 lm
 The data from Philips lamp



HRD91-250-□□(With wide reflector)



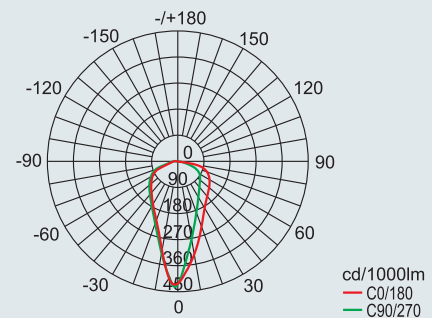
Rated luminous flux
 70W High pressure sodium lamp: 6600 lm
 100W High pressure sodium lamp: 10200 lm
 70W Metal halide lamp: 5000 lm
 100W Metal halide lamp: 9000 lm
 150W Metal halide lamp: 13500 lm
 175W Metal halide lamp: 16000 lm
 250W Metal halide lamp: 23500 lm
 80W High pressure mercury lamp: 3800 lm
 125W High pressure mercury lamp: 6300 lm
 150W High pressure sodium lamp: 18000 lm
 250W High pressure sodium lamp: 33200 lm
 175W High pressure mercury lamp: 7350 lm
 250W High pressure mercury lamp: 13000 lm
 The data from Philips lamp



HRD91-250-□□(With angle reflector)



Rated luminous flux
 70W High pressure sodium lamp: 6600 lm
 100W High pressure sodium lamp: 10200 lm
 70W Metal halide lamp: 5000 lm
 100W Metal halide lamp: 9000 lm
 150W Metal halide lamp: 13500 lm
 175W Metal halide lamp: 16000 lm
 250W Metal halide lamp: 23500 lm
 80W High pressure mercury lamp: 3800 lm
 125W High pressure mercury lamp: 6300 lm
 150W High pressure sodium lamp: 18000 lm
 250W High pressure sodium lamp: 33200 lm
 175W High pressure mercury lamp: 7350 lm
 250W High pressure mercury lamp: 13000 lm
 The data from Philips lamp



We can provide lighting design and data by professional lighting software DIALUX based upon simulated site situation on request.

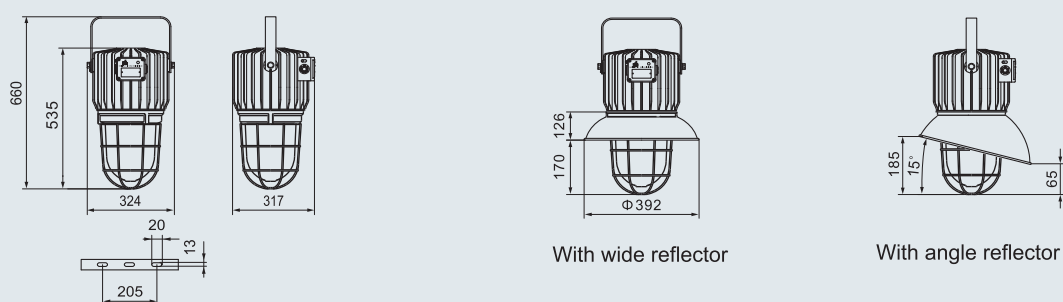
Pendant Light Fittings

HRD91 Series Explosion-proof Light Fittings

Technical data			
Explosion-proof light fittings	HRD91-400-□□		
Explosion protection	⊕ II 2 G Ex d e IIC T3 Ex d e IIC T3 Gb		
Certificates	LCIE 08 ATEX 6112; IECEx CQM 11.0019X; FM (USA)		
Conformity to standards	EN 60079-0, EN 60079-1, EN 60079-7 IEC 60079-0, IEC 60079-1, IEC 60079-7 Class 3600, ANSI/ISA 60079-0, ANSI/ISA 60079-1 ANSI/ISA 60079-7, ANSI/IEC 60529, ANSI/UL 1598		
Material			
Enclosure	Copper-free aluminium, powder coated surface, yellow (RAL1021)		
Transparent cover	Toughened glass, stands 4J impact		
Internal reflector	High-purity aluminium		
External reflector (optional)	Pure aluminium, anodic-oxidation treatment for surface		
Wire guard	Powder coated carbon steel (white)		
Ballast	Electromagnetic ballast, rapid starting, stable performance		
Trigger	General trigger		
Capacitor	Power factor ≥ 0.90 (compensated)		
Exposed fastener	Stainless steel		
Lamp			
Available lamp and lamp power (w)		American standard	European standard
	Lamp	Lamp holder	Lamp holder
		E39	E40
	HSE	400W	400W
	HIE	400W	400W
	HME	-	400W
Rated voltage	American standard: 120V/208V/240V/277V AC 60Hz (50Hz is optional) European standard: 220~240V AC 50Hz (60Hz is optional)		
Earthing protection	M5 (internal & external earth bolts)		
Degree of protection	IP65		
Ambient temperature	-20°C~+55°C		
Terminal	3 x 1.5~2.5mm ² (L+N+PE)		
Cable entries	2 x M25 x 1.5 plugs		
Cable gland(optional)	DQM-I (Ex e) is recommended. Please see P7/17~19		



Dimension drawings (all dimensions in mm) - subject to alteration



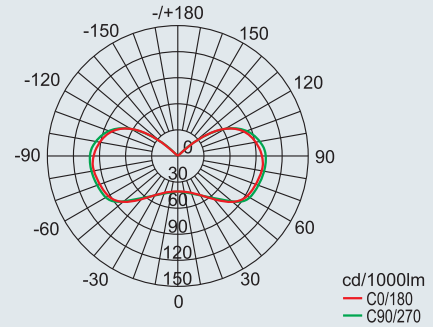
Pendant Light Fittings HRD91 Series Explosion-proof Light Fittings

Photometric data

HRD91-400-□□(Without external reflector)



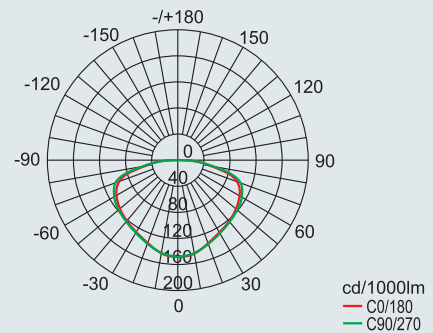
Rated luminous flux
 400W Metal halide lamp: 41000 lm
 400W High pressure sodium lamp: 56500 lm
 400W High pressure mercury lamp: 22000 lm
 The data from Philips lamp



HRD91-400-□□(With wide reflector)



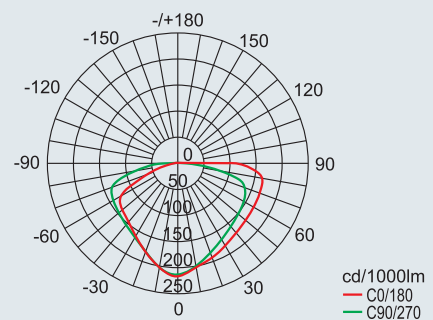
Rated luminous flux
 400W Metal halide lamp: 41000 lm
 400W High pressure sodium lamp: 56500 lm
 400W High pressure mercury lamp: 22000 lm
 The data from Philips lamp



HRD91-400-□□(With angle reflector)



Rated luminous flux
 400W Metal halide lamp: 41000 lm
 400W High pressure sodium lamp: 56500 lm
 400W High pressure mercury lamp: 22000 lm
 The data from Philips lamp

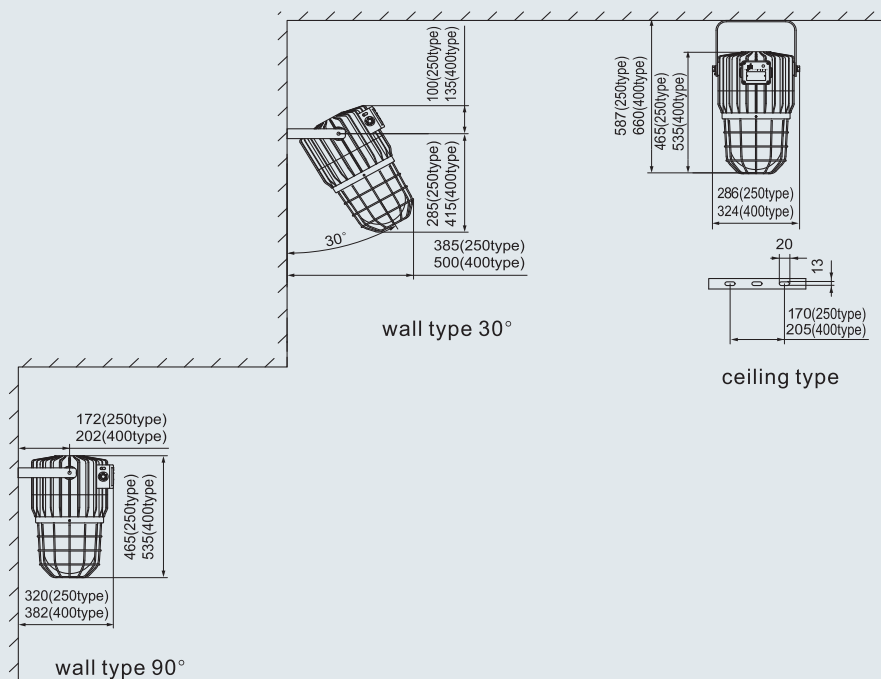


We can provide lighting design and data by professional lighting software DIALUX based upon simulated site situation on request.



Pendant Light Fittings

HRD91 Series Explosion-proof Light Fittings

Mounting type (all dimensions in mm) – subject to alteration



Accessories

Picture	Name	Ordering code	Weight (kg)
	250 Wide reflector	71001	0.27
	400 Wide reflector	91003	0.45
	250 angle reflector	71003	0.36
	400 angle reflector	71004	0.57

