

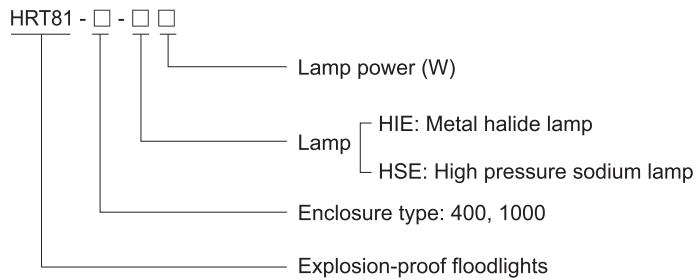
## Floodlights

### HRT81 Series Explosion-proof Floodlights



- ◆ Explosion protection to
  - CENELEC
  - IEC
  - NEC
- ◆ Can be used in
  - Zone 2
  - Zone 21 and Zone 22
  - Class I, Zone 2
  - Class I, Division 2, Groups A, B, C, D
- ◆ Available lamp (max.1000W):
  - Metal halide lamp (HIE)
  - High pressure sodium lamp (HSE)
- ◆ Two enclosure types: 400, 1000.
- ◆ Type 400: lamp and ballast are of integral type.  
Type 1000: lamp and ballast are split type.
- ◆ Enclosure in 316 stainless steel
- ◆ Type 400 are supplied without lamp, PHILIPS lamps are recommended.
- ◆ Type 1000 are supplied with lamp.

#### ■ Catalogue number logic



# Zones 2; 21&22

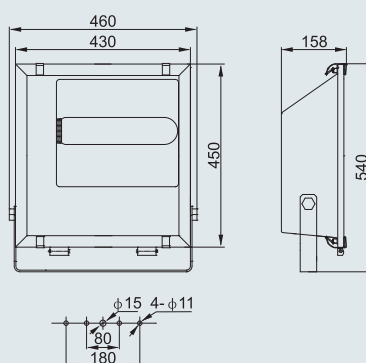
## Floodlights

### HRT81 Series Explosion-proof Floodlights

Technical data	
<b>Explosion-proof floodlights</b> HRT81-400-□□	
<b>Explosion protection</b>	
Gas explosion protection	⊕ II 3 G Ex nR IIC T3 Gc
Dust explosion protection	⊕ II 2 D Ex t IIIC T190°C Db IP66
<b>Certificates</b>	ATEX and IECEx (applied for)
<b>Conformity to standards</b>	EN 60079-0, EN 60079-15, EN 60079-31 IEC 60079-0, IEC 60079-15, IEC 60079-31
<b>Material</b>	
Enclosure	316 stainless steel
Glass cover	Toughened glass, stands 4J impact
Internal reflector	High-purity aluminium
Ballast	Electromagnetic ballast, rapid starting, stable performance
Trigger	General trigger
Capacitor	Power factor $\geq 0.90$ (compensated)
Exposed fastener	Stainless steel
<b>Lamp</b>	
Lamp holder	E40
Available lamp and lamp power (W)	Metal halide lamp (HIE): 175W, 250W, 400W High pressure sodium lamp (HSE): 150W, 250W, 400W Note: HPI European standard ballast is available in general
<b>Rated voltage</b>	220~240V AC 50Hz (60Hz is optional)
<b>Earthing protection</b>	M5 (internal & external earth bolts)
<b>Degree of protection</b>	IP65
<b>Ambient temperature</b>	-60°C~+55°C
<b>Terminal</b>	3 x 1.5~4mm <sup>2</sup> (L+N+PE)
<b>Cable entries</b>	2 x $\Phi 26$ : 1 x M25 x 1.5 plug, 1 x M25 x 1.5 cable gland (DQM-I Ex e, plastic)
<b>Applicable cable outer diameter</b>	$\Phi 9$ ~ $\Phi 16$ (mm)
<b>Weight</b>	10.00kg



#### Dimension drawings (all dimensions in mm) - subject to alteration



## Floodlights

### HRT81 Series Explosion-proof Floodlights

#### Technical data

#### Explosion-proof floodlights HRT81-1000-□□

##### Explosion protection

Gas explosion protection  
Dust explosion protection

⊕ Ex II 3 G Ex nR IIC T2 Gc  
⊕ Ex II 2 D Ex t IIIC T290°C Db IP66

##### Certificates

ATEX and IECEx (applied for)

##### Conformity to standards

EN 60079-0, EN 60079-15, EN 60079-31  
IEC 60079-0, IEC 60079-15, IEC 60079-31

##### Material

Enclosure  
Glass cover  
Internal reflector  
Ballast  
Trigger  
Capacitor  
Exposed fastener

316 stainless steel  
Toughened glass, stands 4J impact  
High-purity aluminium  
Electromagnetic ballast, rapid starting, stable performance  
General trigger  
Power factor  $\geq 0.90$  (compensated)  
Stainless steel

##### Lamp

Lamp holder  
Available lamp and lamp power (W)

E40  
Metal halide lamp (HIE): 1000W  
High pressure sodium lamp (HSE): 1000W  
Note: HPI European standard ballast is available in general

##### Rated voltage

230V AC 50Hz (60Hz is optional)

##### Earthing protection

M5 (internal & external earth bolts)

##### Degree of protection

IP65

##### Ambient temperature

-60°C~+55°C

##### Terminal

3 x 1.5~4mm<sup>2</sup>(L+N+PE)

##### Cable entries

2 x  $\Phi 26$ : 1 x M25 x 1.5 plug, 1 x M25 x 1.5 cable gland (DQM-I Ex e, plastic)

##### Applicable cable outer diameter

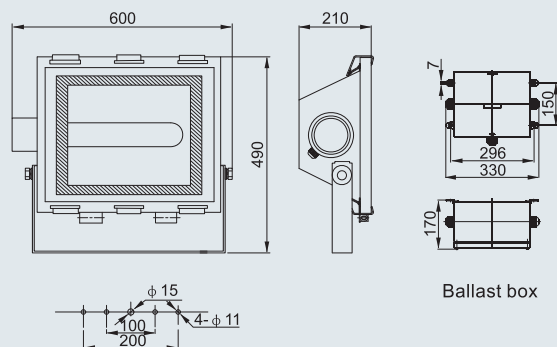
$\Phi 9 \sim \Phi 16$  (mm)

##### Weight

30.00kg (with ballast box)



#### Dimension drawings (all dimensions in mm) - subject to alteration



## Floodlights

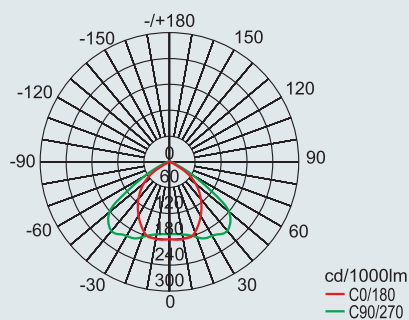
### HRT81 Series Explosion-proof Floodlights

#### Photometric data

##### HRT81-400-□□

Rated luminous flux

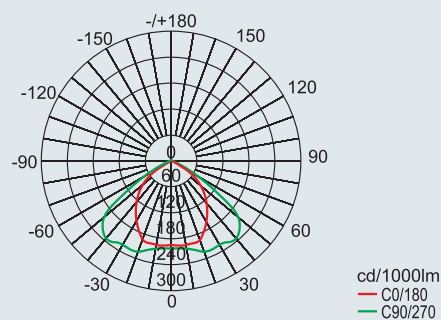
175W Metal halide lamp: 16000 lm  
 250W Metal halide lamp: 23500 lm  
 150W High pressure sodium lamp: 18000 lm  
 250W High pressure sodium lamp: 33200 lm  
 400W Metal halide lamp: 41000 lm  
 400W High pressure sodium lamp: 56500 lm  
 The data from Philips lamp



##### HRT81-1000-□□

Rated luminous flux

1000W Metal halide lamp: 85000 lm  
 1000W High pressure sodium lamp: 130000 lm  
 The data from Philips lamp



We can provide lighting design and data by professional lighting software DIALUX based upon simulated site situation on request

