

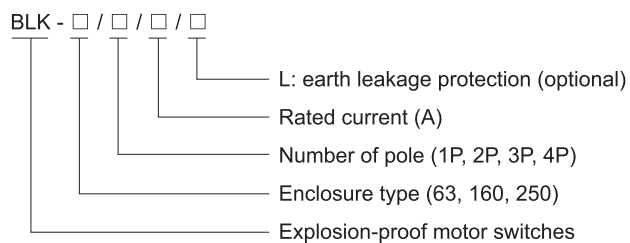
## Motor Switches

### BLK Series Explosion-proof Motor Switches (Ex d IIC)



- ◆ Explosion protection to
  - CENELEC
  - IEC
  - NEC
- ◆ Can be used in
  - Zone 1 and Zone 2
  - Zone 21 and Zone 22
  - Class I, Zone 1 and Zone 2
  - Class I, Division 1, Groups A, B, C, D
- ◆ Classified as IIC according to gas atmosphere.
- ◆ Copper-free aluminium enclosure, powder coated surface.
- ◆ Built-in MCB (miniature circuit breaker), MCCB (moulded case circuit breaker).
- ◆ Earth leakage protection device is optional.

#### ■ Catalogue number logic



#### ■ Note

1. Please select the model by Catalogue number logic above, and specify all technical data;
2. Please specify Ex-mark when ordering;
3. Entry size and direction on request.

Zones 1&2; 21&22

## Motor Switches

### BLK Series Explosion-proof Motor Switches (Ex d IIC)

#### Technical data

#### Explosion-proof motor switches **BLK-63/□/□/□**

#### Explosion protection

Gas explosion protection

Ex II 2 G Ex d IIC T6 Gb Ex d IIC T6 Gb

Dust explosion protection

Ex II 2 D Ex tb IIIC T80°C Db IP66 Ex t IIIC T80°C Db IP66

#### Certificates

DNV 12 ATEX 1179X

IECEX CQM 12.0037X

KZ.7500525.22.01.00362 (CU-TR)

#### Conformity to standards

EN 60079-0, EN 60079-1, EN 60079-31

IEC 60079-0, IEC 60079-1, IEC 60079-31

#### Enclosure material

Copper-free aluminium, powder coated surface

#### Enclosure colour

Window grey (RAL7040)

#### Exposed fastener

Stainless steel

#### Circuit breaker

MCB (miniature circuit breaker)

#### Max. working voltage

440V AC 50/60Hz

#### Rated voltage

1P/230V AC, 2P/3P/4P/400V AC 50/60Hz

#### Rated current

1A, 2A, 4A, 6A, 10A, 16A, 20A, 25A, 32A, 40A, 50A, 63A

#### Number of pole

1P, 2P, 3P, 4P

#### Breaking capacity

6kA, 10kA, 15kA

#### Impulse withstand voltage

6kV

#### Tripping characteristic

Instantaneous tripping range (5~10) In, (7~10) In or (10~14) In

#### Degree of protection

IP66

#### Ambient temperature

-60°C~+55°C

#### Cable entries

Standard 1~16A: 2 x M25 x 1.5 plugs

20~32A: 2 x M32 x 1.5 plugs

40~63A: 2 x M40 x 1.5 plugs

#### Cable gland (optional)

DQM-II (Ex d) or DQM-III (Ex d) is recommended. Please see P7/20~27

#### Entry direction

Bottom

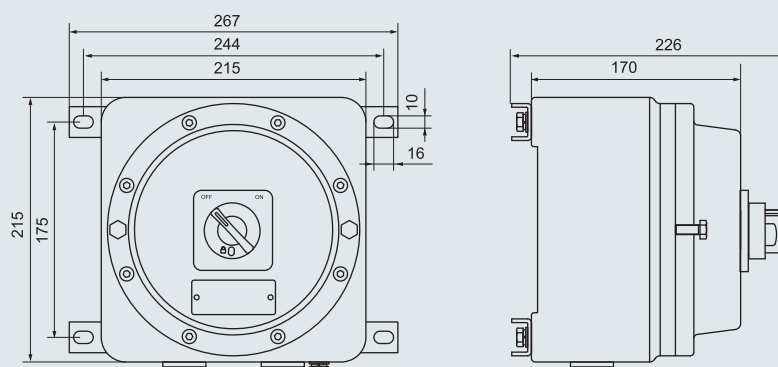
#### Enclosure weight

6.50 kg

#### Earth leakage protection

On request

#### Dimension drawings (all dimensions in mm) - subject to alteration



BLK-63/□/□/□



## Motor Switches

### BLK Series Explosion-proof Motor Switches (Ex d IIC)

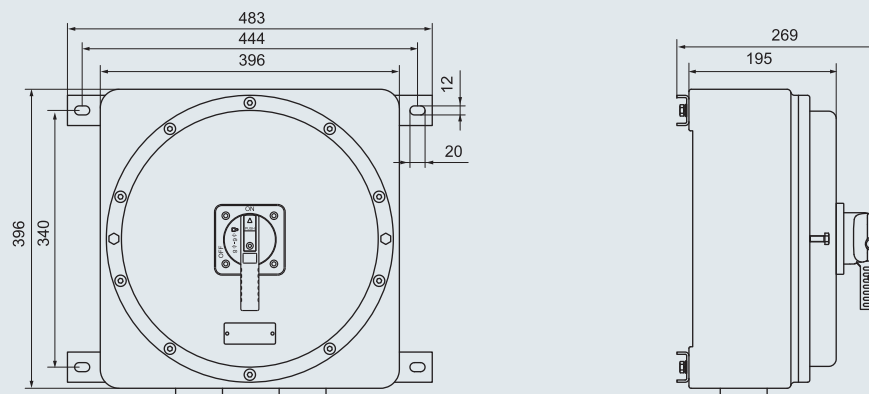
#### Technical data

#### Explosion-proof motor switches BLK-160/□/□/□

<b>Explosion protection</b>		
Gas explosion protection	⊕ II 2 G Ex d IIC T6 Gb	Ex d IIC T6 Gb
Dust explosion protection	⊕ II 2 D Ex tb IIIC T80°C Db IP66	Ex t IIIC T80°C Db IP66
<b>Certificates</b>	DNV 12 ATEX 1179X KZ.7500525.22.01.00362 (CU-TR)	IECEX CQM 12.0037X
<b>Conformity to standards</b>	EN 60079-0, EN 60079-1, EN 60079-31 IEC 60079-0, IEC 60079-1, IEC 60079-31	
<b>Enclosure material</b>	Copper-free aluminium, powder coated surface	
<b>Enclosure colour</b>	Window grey (RAL7040)	
<b>Exposed fastener</b>	Stainless steel	
<b>Circuit breaker</b>	MCCB (moulded case circuit breaker)	
<b>Max. working voltage</b>	690V AC 50/60Hz 500V DC	
<b>Rated current</b>	80A, 100A, 125A, 160A	
<b>Number of pole</b>	3P, 4P	
<b>Breaking capacity</b>	380/415V AC 50/60Hz, 36kA/50kA 440V AC 50/60Hz, 30kA/45kA	
<b>Impulse withstand voltage</b>	8kV	
<b>Tripping characteristic</b>	Thermomagnetic type	
<b>Degree of protection</b>	IP66	
<b>Ambient temperature</b>	-60°C~+55°C	
<b>Cable entries</b>	Standard 80~100A: 2 x M50 x 1.5 plugs 125~160A: 2 x M63 x 1.5 plugs	
<b>Cable gland (optional)</b>	DQM-II (Ex d) or DQM-III (Ex d) is recommended. Please see P7/20~27	
<b>Entry direction</b>	Bottom	
<b>Enclosure weight</b>	21.00kg	
<b>Earth leakage protection</b>	On request	



#### Dimension drawings (all dimensions in mm) - subject to alteration



BLK-160/□/□/□

## Motor Switches

### BLK Series Explosion-proof Motor Switches (Ex d IIC)

#### Technical data

#### Explosion-proof motor switches **BLK-250/□/□/□**

##### Explosion protection

Gas explosion protection

⊕ II 2 G Ex d IIC T6 Gb

Ex d IIC T6 Gb

Dust explosion protection

⊕ II 2 D Ex tb IIIC T80°C Db IP66

Ex t IIIC T80°C Db IP66

##### Certificates

DNV 12 ATEX 1179X

IECEX CQM 12.0037X

KZ.7500525.22.01.00362 (CU-TR)

##### Conformity to standards

EN 60079-0, EN 60079-1, EN 60079-31

IEC 60079-0, IEC 60079-1, IEC 60079-31

##### Enclosure material

Copper-free aluminium, powder coated surface

##### Enclosure colour

Window grey (RAL7040)

##### Exposed fastener

Stainless steel

##### Circuit breaker

MCCB (moulded case circuit breaker)

##### Max. working voltage

690V AC 50/60Hz

500V DC

##### Rated current

200A, 250A

##### Number of pole

3P, 4P

##### Breaking capacity

380/415V AC 50/60Hz, 36kA/50kA

440V AC 50/60Hz, 25kA/40kA

##### Impulse withstand voltage

8kV

##### Tripping characteristic

Thermomagnetic type

##### Degree of protection

IP66

##### Ambient temperature

-60°C~+55°C

##### Cable entries

Standard 2 x M63 x 1.5 plugs

##### Cable gland (optional)

DQM-II (Ex d) or DQM-III (Ex d) is recommended. Please see P7/20~27

##### Entry direction

Bottom

##### Enclosure weight

24.00kg

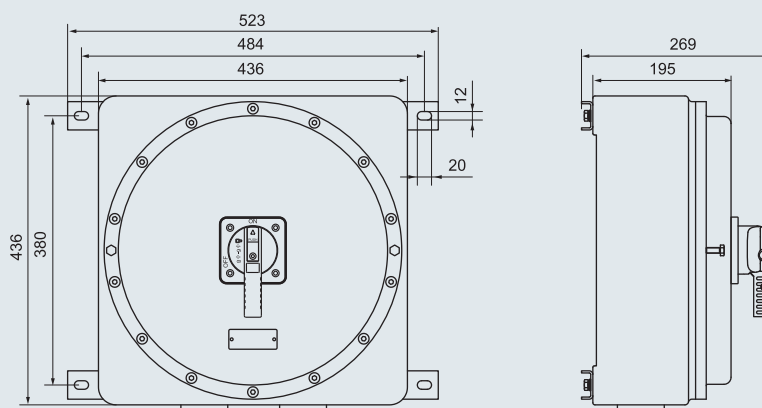
##### Earth leakage protection

On request

##### Note

Rated current > 250A on request.

#### Dimension drawings (all dimensions in mm) - subject to alteration



BLK-250/□/□/□