

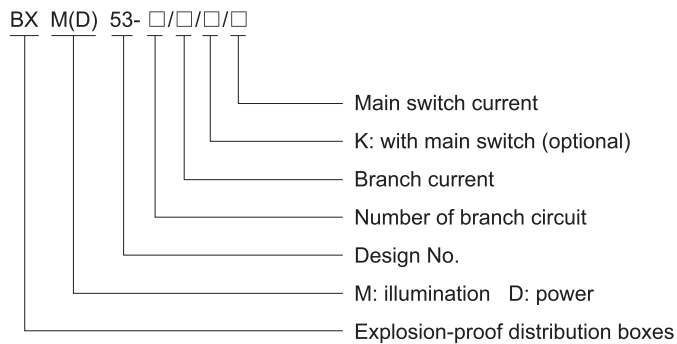
Distribution Boxes

BXM(D)53 Series Explosion-proof Illumination (Power) Distribution Boxes (Ex d e IIC)



- ◆ Explosion protection to
 - CENELEC
 - IEC
 - NEC
- ◆ Can be used in
 - Zone 1 and Zone 2
 - Zone 21 and Zone 22
 - Class I, Zone 1 and Zone 2
 - Class I, Division 2, Groups A, B, C, D
- ◆ Enclosure for modular combination (Ex d & Ex e).
- ◆ Main switch and branch switch are operated with external rotary actuator.
- ◆ Internal wiring to the terminal is finished.
- ◆ International brand of explosion-proof terminal.
- ◆ Copper-free aluminium, powder coated surface.
- ◆ Entries plugged. Cable glands on request (see P7/17~19).
- ◆ Special requirements on request.

■ Catalogue number logic



Zones 1&2; 21&22

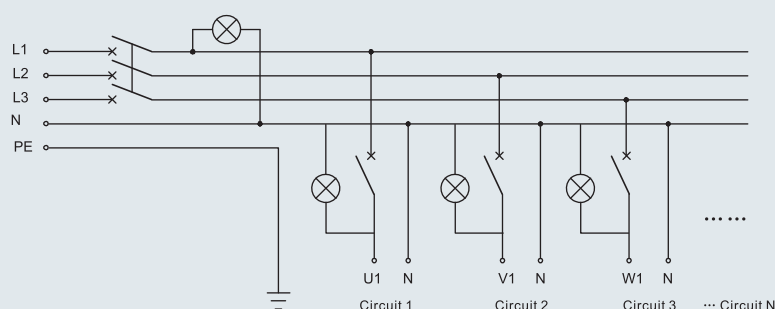
Distribution Boxes

BXM53 Series Explosion-proof Illumination Distribution Boxes (Ex d e IIC)

Technical data	
Explosion-proof illumination distribution boxes	BXM53-□/□/□/□
Explosion protection	
Gas explosion protection	⊕ II 2 G Ex d e IIC T6 Gb
Dust explosion protection	⊕ II 2 D Ex tb IIIC T80°C Db IP65
Certificates	DNV 11 ATEX 02455X; IECEx CQM 11.0042X; KZ.7500525.22.01.00373 (CU-TR)
Conformity to standards	EN 60079-0, EN 60079-1, EN 60079-7, EN 60079-31 IEC 60079-0, IEC 60079-1, IEC 60079-7, IEC 60079-31
General power supply	Rated voltage: max. 690V AC 50/60Hz; Rated current: max.100A
Branch current	1A, 2A, 4A, 6A, 10A, 16A, 20A, 25A, 32A
Exposed fastener	Stainless steel
Enclosure	
Enclosure material	Copper-free aluminium, powder coated surface
Enclosure colour	Window grey (RAL7040)
Enclosure type	Modular combination (Ex d & Ex e); MCB, MCCB or other components in Ex d compartment, explosion-proof indicators and terminals in Ex e compartment.
Built-in components	
Main switch	MCB (miniature circuit breaker) or MCCB (moulded case circuit breaker) Note: earth leakage protection on request
Branch switch	MCB (miniature circuit breaker) Note: earth leakage protection on request
Terminal	International brand of explosion-proof terminal
Indicator	Red
Degree of protection	IP65
Ambient temperature	-20°C~+55°C; (-40°C~+55°C optional)
Cable entries	Standard M□ x 1.5 plug (see the Selection table on P6/10)
Cable gland (optional)	DQM-I (Ex e) is recommended. Please see P7/17~19
Entry direction	Bottom
Mounting	Surface type (standard) Pedestal type (optional)



Electrical schematic diagram



BXM53 Series explosion-proof illumination distribution boxes

Selection table of BXM53 series explosion-proof illumination distribution boxes

Version	Description					Cable entries	
	Main switch	Number of branch circuit	Branch switch	Branch current	Number of indicator		
BXM53-4/□/K/□	MCB or MCCB	4	MCB 1P/2P	1A 2A 4A 6A 10A 16A 20A 25A 32A On request	1+4	1 x M40 x 1.5 + 4 x M25 x 1.5	
BXM53-6/□/K/□		6			1+6	1 x M40 x 1.5 + 6 x M25 x 1.5	
BXM53-8/□/K/□		8			1+8	1 x M40 x 1.5 + 8 x M25 x 1.5	
BXM53-10/□/K/□		Current: max. 100A			10	1+10	1 x M40 x 1.5 + 10 x M25 x 1.5
BXM53-12/□/K/□					12	1+12	1 x M40 x 1.5 + 12 x M25 x 1.5
BXM53-4/□	—	4	MCB 1P/2P	1A 2A 4A 6A 10A 16A 20A 25A 32A On request	4	1 x M40 x 1.5 + 4 x M25 x 1.5	
BXM53-6/□		6			6	1 x M40 x 1.5 + 6 x M25 x 1.5	
BXM53-8/□		8			8	1 x M40 x 1.5 + 8 x M25 x 1.5	
BXM53-10/□		10			10	1 x M40 x 1.5 + 10 x M25 x 1.5	
BXM53-12/□		12			12	1 x M40 x 1.5 + 12 x M25 x 1.5	

Note

1. Please specify the number and size of cable entries and sides of the enclosure to be fitted.
2. Electrical schematic diagram shall be provided by user. Photo switch, AC contactor, thermal relay or others on request.
3. Please specify mounting type when ordering.
4. Rainproof canopy on request.



Distribution Boxes

BXD53 Series Explosion-proof Power Distribution Boxes (Ex d e IIC)

Technical data

Explosion-proof power distribution boxes BXD53-□/□/□/□

Explosion protection

Gas explosion protection

⊕ II 2 G Ex d e IIC T5 Gb

Dust explosion protection

⊕ II 2 D Ex tb IIIC T80°C Db IP65

Certificates

DNV 11 ATEX 02455X; IECEx CQM 11.0042X; KZ.7500525.22.01.00373 (CU-TR)

Conformity to standards

EN 60079-0, EN 60079-1, EN 60079-7, EN 60079-31

IEC 60079-0, IEC 60079-1, IEC 60079-7, IEC 60079-31

General power supply

Rated voltage: max. 690V AC 50/60Hz; Rated current: max.250A

Branch current

1A, 2A, 4A, 6A, 10A, 16A, 20A, 25A, 32A, 40A, 50A, 63A

Exposed fastener

Stainless steel

Enclosure

Enclosure material

Copper-free aluminium, powder coated surface

Enclosure colour

Window grey (RAL7040)

Enclosure type

Modular combination (Ex d & Ex e); MCB, MCCB or other components in Ex d compartment, explosion-proof indicators and terminals in Ex e compartment.

Built-in components

Main switch

MCB (miniature circuit breaker) or MCCB (moulded case circuit breaker)

Note: earth leakage protection on request

Branch switch

MCB (miniature circuit breaker)

Note: earth leakage protection on request

Terminal

International brand of explosion-proof terminal

Indicator

Red

Degree of protection

IP65

Ambient temperature

-20°C~+55°C; (-40°C~+55°C optional)

Cable entries

Standard M□ x 1.5 plug (see the Selection table on P6/12)

Cable gland (optional)

DQM-I (Ex e) is recommended. Please see P7/17~19

Entry direction

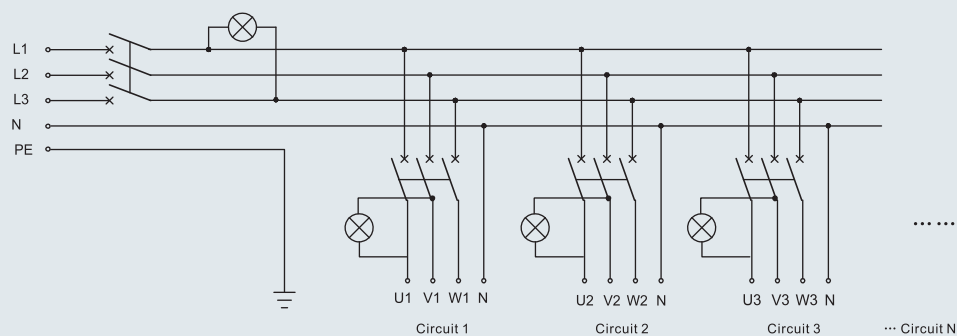
Bottom

Mounting

Surface type (standard)

Pedestal type (optional)

Electric schematic diagram



BXD53 Series explosion-proof power distribution boxes

Selection table of BXD53 series explosion-proof power distribution boxes

Version	Description					Cable entries
	Main switch	Number of branch circuit	Branch switch	Branch current	Number of indicator	
BXD53-4/□/K/□	MCB or MCCB	4	MCB 3P	1A	1+4	1 x M50 x 1.5 + 4 x M25 x 1.5
BXD53-6/□/K/□		6		2A	1+6	1 x M50 x 1.5 + 6 x M25 x 1.5
BXD53-8/□/K/□		8		4A	1+8	1 x M50 x 1.5 + 8 x M25 x 1.5
BXD53-10/□/K/□		10		6A	1+10	1 x M50 x 1.5 + 10 x M25 x 1.5
BXD53-12/□/K/□		12		10A	1+12	1 x M50 x 1.5 + 12 x M25 x 1.5
	Current: max. 250A			16A		
				20A		
				25A		
				32A		
				40A		
				50A		
				63A		
				On request		
BXD53-4/□	—	4	MCB 3P	1A	4	1 x M50 x 1.5 + 4 x M25 x 1.5
BXD53-6/□		6		2A	6	1 x M50 x 1.5 + 6 x M25 x 1.5
BXD53-8/□		8		4A	8	1 x M50 x 1.5 + 8 x M25 x 1.5
BXD53-10/□		10		6A	10	1 x M50 x 1.5 + 10 x M25 x 1.5
BXD53-12/□		12		10A	12	1 x M50 x 1.5 + 12 x M25 x 1.5
				16A		
				20A		
				25A		
				32A		
				40A		
				50A		
				63A		
				On request		

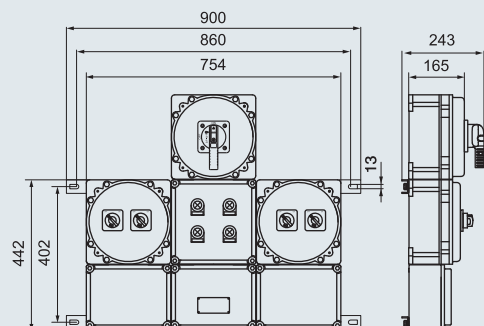
Note

1. Please specify the number and size of cable entries and sides of the enclosure to be fitted.
2. Electrical schematic diagram shall be provided by user. Photo switch, AC contactor, thermal relay or others on request.
3. Please specify mounting type when ordering.
4. Rainproof canopy on request.

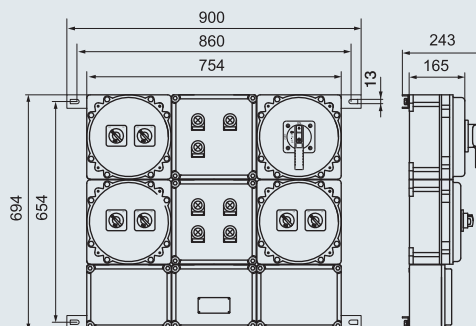
Distribution Boxes

BXM(D)53 Series Explosion-proof Illumination (Power) Distribution Boxes (Ex d e IIC)

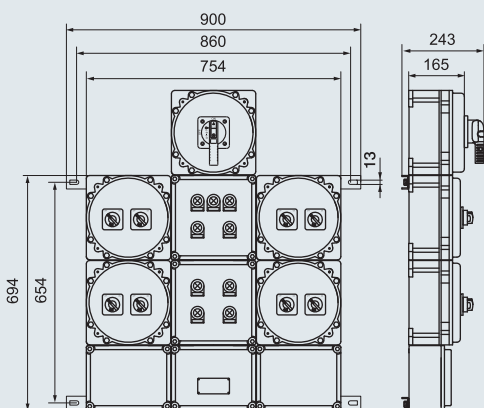
Dimension drawings (all dimensions in mm) - subject to alteration



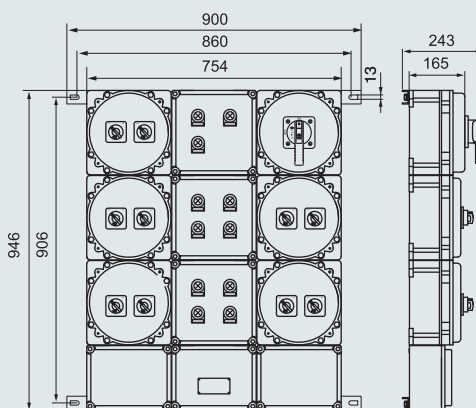
BXM(D)53-4/□/K/□



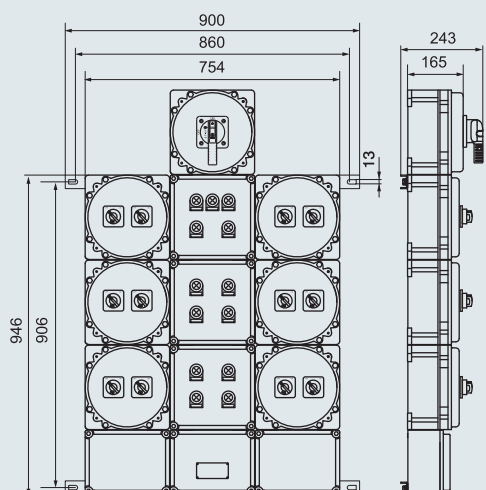
BXM(D)53-6/□/K/□



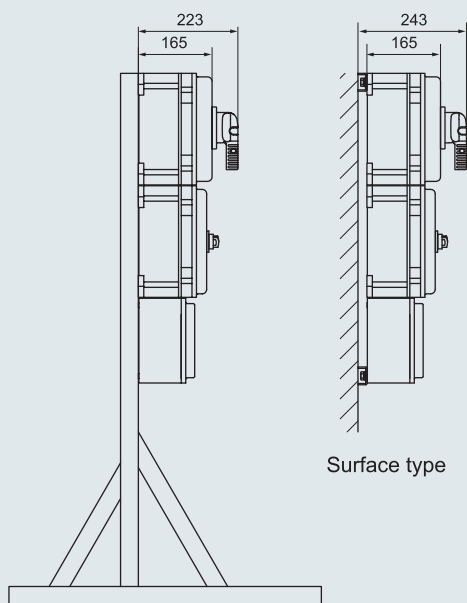
BXM(D)53-8/□/K/□



BXM(D)53-10/□/K/□



BXM(D)53-12/□/K/□



Pedestal type

