

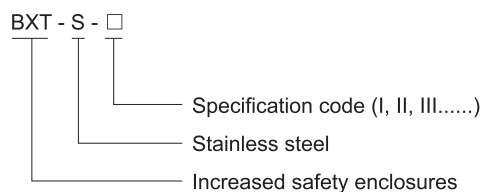
Empty Enclosures

BXT-S Series Increased Safety Enclosures (Ex e)



- ◆ Explosion protection to
 - CENELEC
 - IEC
 - NEC
- ◆ Can be used in
 - Zone 1 and Zone 2
 - Class I, Zone 1 and Zone 2
 - Class I, Division 2, Groups A, B, C, D
- ◆ Increased-safety enclosure (Ex e) in stainless steel, 7 versions.
- ◆ Cable entries can be drilled and components can be installed by user on request.
- ◆ Safety shall be considered when installing components according to related electrical standards.
- ◆ Special requirements on request.

Catalogue number logic



Technical data

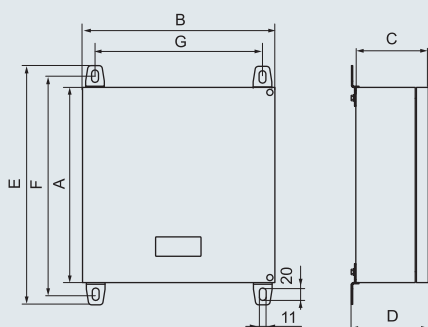
Increased safety enclosures	BXT-S-□
Explosion protection	⊕ II 2 G Ex e II Gb
Certificates	LCIE 10 ATEX 3070U; RU C-CN.ГБ05.B.00345(CU-TR)
Conformity to standards	EN 60079-0, EN 60079-7 IEC 60079-0, IEC 60079-7
Degree of protection	IP66
Ambient temperature	-40°C~+60°C
Enclosure material	Stainless steel
Exposed fastener	Stainless steel

Zones 1&2

Empty Enclosures

BXT-S Series Increased Safety Enclosures (Ex e)

Selection table of BXT-S series increased safety enclosures (all dimensions in mm)

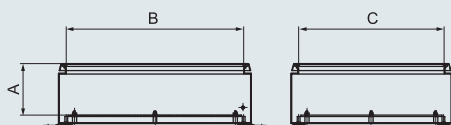


Outline & Installation

Version	Outline dimensions				Installation dimensions		
	A	B	C	D	E	F	G
BXT-S-I	120	120	88	98	190	156	80
BXT-S-II	190	150	88	98	260	226	110
BXT-S-III	250	250	148	158	320	286	210
BXT-S-IV	300	300	148	158	370	336	260
BXT-S-V	480	480	148	158	550	516	440
BXT-S-VI	600	500	198	208	670	636	460
BXT-S-VII	860	640	218	228	930	896	600

Note: Other dimensions on request

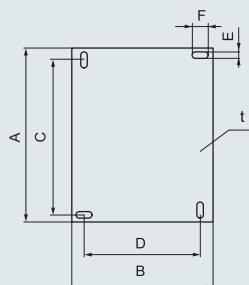
Internal



Version	Dimensions			Weight (kg)
	A	B	C	
BXT-S-I	60	76	76	2.25
BXT-S-II	60	146	106	3.60
BXT-S-III	120	206	206	7.40
BXT-S-IV	120	243	243	8.70
BXT-S-V	120	423	423	18.60
BXT-S-VI	170	543	443	25.70
BXT-S-VII	190	803	583	40.10



Mounting plate



Version	Dimensions						
	A	B	C	D	E	F	t
BXT-S-I	80	70	60	52	5	10	2
BXT-S-II	130	90	110	70	5	10	2
BXT-S-III	190	190	160	166	8	17	2
BXT-S-IV	240	240	210	216	8	17	2
BXT-S-V	420	420	390	390	8	17	2
BXT-S-VI	540	440	510	410	8	17	2
BXT-S-VII	800	580	770	550	8	17	2