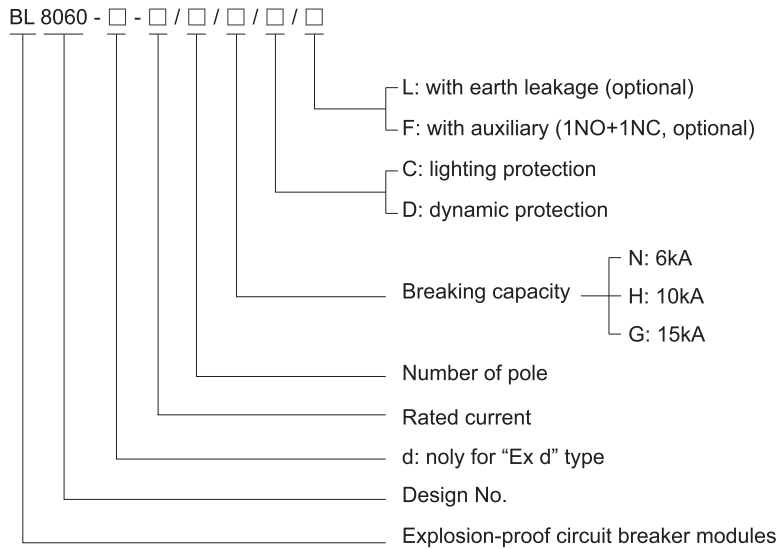


## Components for Distribution Boxes BL8060 Series Explosion-proof Circuit Breaker Modules



- ◆ Explosion protection to
  - CENELEC
  - IEC
  - NEC
- ◆ Can be used in
  - Zone 1 and Zone 2
  - Class I, Zone 1 and Zone 2
  - Class I, Division 2, Groups A , B, C, D
- ◆ Product of flame-proof structure; the cavity is of engineering plastic embedded with high strength metal frame structure; with strong corrosion-proof capacity and reliable performance.
- ◆ Built-in Schneider iC65 series MCB, special operation mechanism internally designed, reliable overall operation.

### Catalogue number logic



# Zones 1&2

## Components for Distribution Boxes

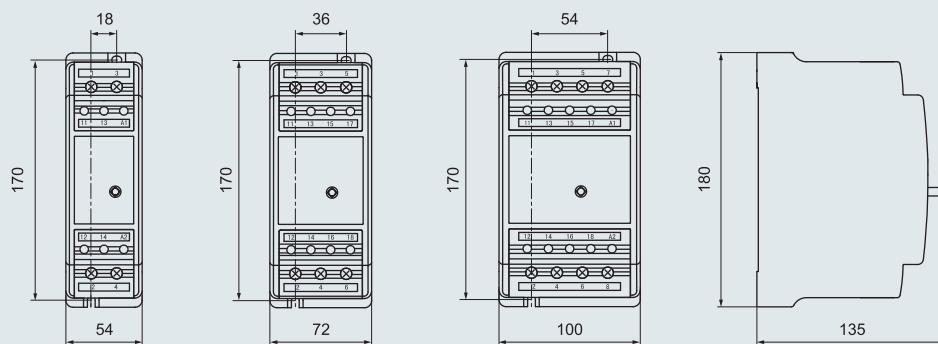
### BL8060 Series Explosion-proof Circuit Breaker Modules

#### Technical data

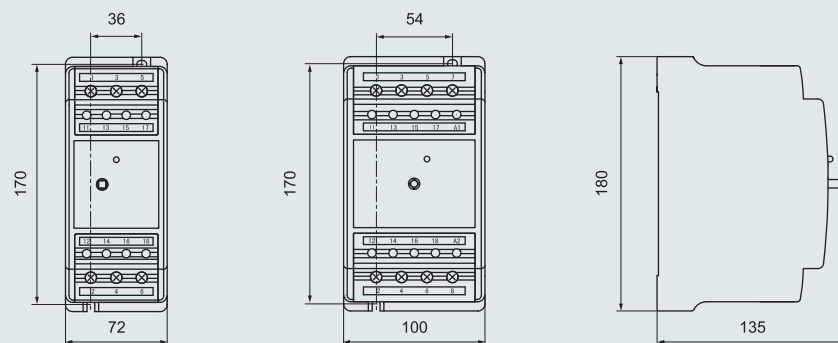
#### Explosion-proof circuit breaker modules BL8060 - □ / □ / □ / □ / □ (≤ 63A)

<b>Explosion protection</b>	⊕ II 2 G Ex d e IIC Gb						
<b>Certificates</b>	EUT 14 ATEX 1301U; IECEX CQM 14.0031U						
<b>Conformity to standards</b>	EN 60079-0, EN 60079-1, EN 60079-7 IEC 60079-0, IEC 60079-1, IEC 60079-7						
<b>Enclosure material</b>	GRP (glass fibre-reinforced polyester resin, embedded with metal frame)						
<b>Rated voltage</b>	Max.690V AC						
<b>Rated current</b>	1A, 2A, 4A, 6A, 10A, 16A, 20A, 25A, 32A, 40A, 50A, 63A						
<b>Rated residual operating current</b>	30mA, 300mA, 300mA $\square$ $\square$ :Under-voltage tripping(instant)						
<b>Rated residual current characteristics</b>	AC, A						
<b>Mechanical life</b>	20000 times						
<b>Auxiliary contact</b>	1NO+1NC (indicating contact in OF state)						
<b>Number of pole</b>	1P, 2P, 3P, 4P, 1PL, 2PL						
<b>Ambient temperature</b>	-20°C~+70°C						
<b>Breaking capacity</b>	Ph.-Ph. (2P, 3P, 4P)	12~133V	220~240V	380~415V	440V	Use breaking capacity	
	Ph.-N (1P, 1P+N)	12~60V	100~133V	220~240V	-		
	Rated current	1~4A	50kA	50kA	50kA	25kA	100%Icu
		6~63A	36kA	20kA	10kA	6kA	75%Icu

#### Dimension drawings (all dimensions in mm) - subject to alteration



BL8060-□/1/□/□/□ BL8060-□/2/□/□/□ BL8060-□/3/□/□/□  
 BL8060-□/1/□/□/□ BL8060-□/3/□/□/□ BL8060-□/4/□/□/□  
 BL8060-□/2/□/□/□ BL8060-□/4/□/□/□



BL8060-□/1/□/□/□ BL8060-□/2/□/□/□







