



## Control Stations BZC8050 Series Control Stations (GRP)

Selection table of control station BZC8050(GRP)				
Enclosure type	Components arrangement	Cable entries and direction	Ordering code	Enclosure weight (kg)
I		2-M25 x 1.5 Bottom entry	40074.....	1.30
II		1-M32 x 1.5 or 2-M25 x 1.5 Bottom entry	40075.....	2.10
III		1-M32 x 1.5 or 3-M25 x 1.5 Bottom entry	40076.....	3.25
IIIx		1-M40 x 1.5 or 2-M32 x 1.5 or 4-M25 x 1.5 Bottom entry	40077.....	3.25
IV		1-M40 x 1.5 or 2-M32 x 1.5 or 6-M25 x 1.5 Bottom entry	40078.....	4.15



## Control Stations BZC8050 Series Control Stations (GRP)

### Technical data

#### Control stations BZC8050 (GRP)

##### Explosion protection

Gas explosion protection

⊕ II 2 G Ex d e IIC T6 Gb

Dust explosion protection

⊕ II 2 D Ex tb IIIC T80°C Db IP65

##### Certificates

LCIE 09 ATEX 3099; IECEX CQM 11.0029

##### Conformity to standards

EN 60079-0, EN 60079-1, EN 60079-7, EN 60079-31

IEC 60079-0, IEC 60079-1, IEC 60079-7, IEC 60079-31

##### Enclosure material

GRP (glass fibre-reinforced polyester resin)

##### Enclosure colour

Black

##### Exposed fastener

Stainless steel

##### Rated voltage

Max. 415V AC

##### Rated current

Main circuit current: 6A (for BZC8050-A2D2, BZC8050-A2B1)  
16A (for BZC8050-K1)  
10A (for others)

##### Degree of protection

IP65

##### Ambient temperature

-20°C~+55°C

##### Components

1. Technical data of BA8050 control button on P4/40~43;
2. Technical data of BD8050 indicator on P4/44~46;
3. Technical data of BK8050 control switch on P4/47~52;
4. Technical data of BB8050 explosion-proof ammeter/voltmeter on P4/53~55;

##### Cable entries

M□ x 1.5 plug, please see the Selection table on P4/29

##### Cable gland (optional)

DQM-I (Ex e) is recommended. Please see P7/16

##### Mounting

Surface type

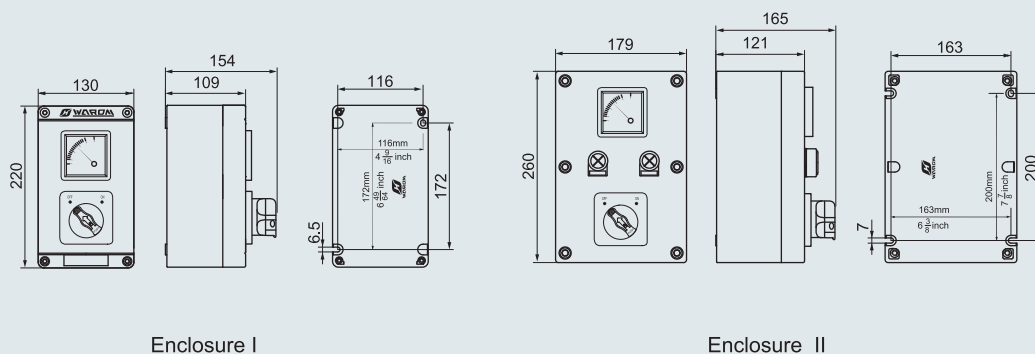
Pole type (for enclosure I, II, III only)

##### Note

1. Please specify the number and size of entries (applicable for surface type only);
2. For pole type, only G1" entry is applicable;

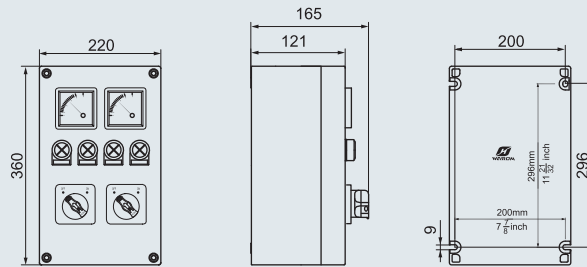


### Dimension drawings (all dimensions in mm) - subject to alteration

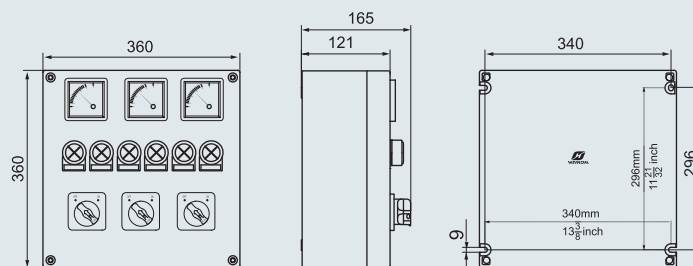


## Control Stations BZC8050 Series Control Stations (GRP)

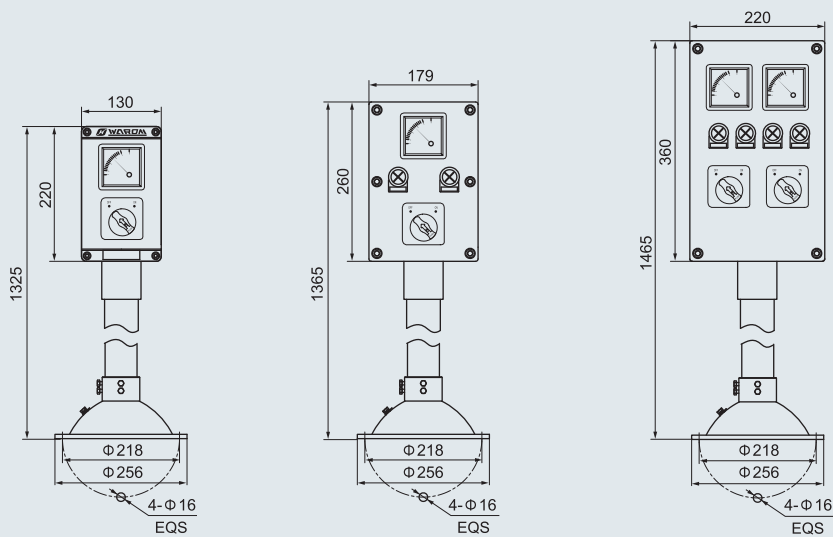
Dimension drawings (all dimensions in mm) - subject to alteration



Enclosure III



Enclosure IV



Pole type (for enclosure I, II, III only)

