

4

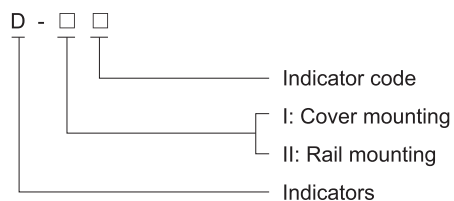
Components for BZC8050 Control Stations BD8050 Series Indicators



- ◆ Explosion protection to
 - CENELEC
 - IEC
 - NEC
- ◆ Can be used in
 - Zone 1 and Zone 2
 - Zone 21 and Zone 22
 - Class I, Zone 1 and Zone 2
 - Class I, Division 2, Groups A, B, C, D
- ◆ Available in
 - red
 - green
 - yellow
 - blue
 - white
- ◆ Two mounting types
 - cover mounting
 - rail mounting

■ Catalogue number logic

BD8050(D for short)



Zones 1&2; 21&22

Components for BZC8050 Control Stations BD8050 Series Indicators

Selection table							
Version	Voltage	Schematic diagram	Colour	Code	Ordering code	Weight (kg)	
 I: Cover mounting	Rated voltage: AC 230V...AC 415V Voltage range: -10%...+6% Frequency: 0Hz...60Hz		Red	Ra	40099A/40099B	0.05	
			Green	Ga	40100A/40100B		
			Yellow	Ya	40101A/40101B		
			Blue	Ba	40166A/40166B		
			White	Wa	40102A/40102B		
	 II: Rail mounting	Rated voltage: AC/DC 48V...110V Voltage range: -10%...+6% Frequency: 0Hz...60Hz		Red	Rb	40103A/40103B	0.05
				Green	Gb	40104A/40104B	
				Yellow	Yb	40105A/40105B	
				Blue	Bb	40167A/40167B	
				White	Wb	40106A/40106B	
	 II: Rail mounting	Rated voltage: AC/DC 12V...36V Voltage range: -10%...+6% Frequency: 0Hz...60Hz		Red	Rc	40107A/40107B	0.05
				Green	Gc	40108A/40108B	
				Yellow	Yc	40109A/40109B	
				Blue	Bc	40168A/40168B	
				White	Wc	40110A/40110B	
 II: Rail mounting	Rated voltage: DC 220V, 380V Voltage range: -10%...+6%		Red	Rd	40111A/40111B	0.05	
			Green	Gd	40112A/40113B		
			Yellow	Yd	40113A/40113B		
			Blue	Bd	40169A/40169B		
			White	Wd	40114A/40114B		
 I: Cover mounting			Red	a	40115A	0.05	
			Green	b	40116A		
			Yellow	c	40117A		
			White	d	40118A		
			Blue	e	40170A		
 II: Rail mounting			Red	a	40115B	0.05	
			Green	b	40116B		
			Yellow	c	40117B		
			White	d	40118B		
			Blue	e	40170B		



The last letter of ordering code: A-cover mounting; B-rail mounting.

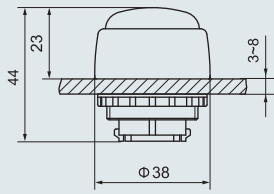
Components for BZC8050 Control Stations BD8050 Series Indicators

Technical data

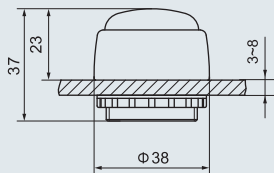
Indicators BD8050

Explosion protection	⊕ II 2 G Ex d e IIC Gb
Certificates	LCIE 09 ATEX 3098U; IECEX CQM 11.0012U; KZ.7500525.22.01.00374 (CU-TR)
Conformity to standards	EN 60079-0, EN 60079-1, EN 60079-7 IEC 60079-0, IEC 60079-1, IEC 60079-7
Rated voltage	12V...415V AC/DC (-10%...+6%)
Rated current	Max.15mA
Frequency	0Hz...60Hz
Rated output wattage	Max.1W
Service life	10 ⁵ hours
Ambient temperature	-20°C~+70°C
Colour	Red, green, yellow, blue, white
Lamp	LED
Enclosure material	Polyamide (PA66)
Terminal	Suitable for 2.5mm ² cable
Indicator cover material	PC

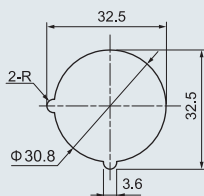
Dimension drawings (all dimensions in mm) - subject to alteration



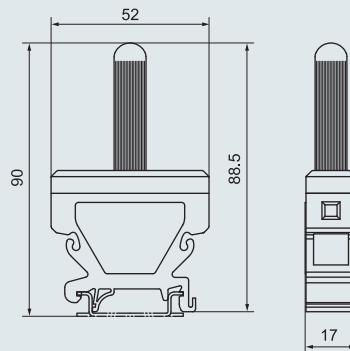
I: Cover mounting



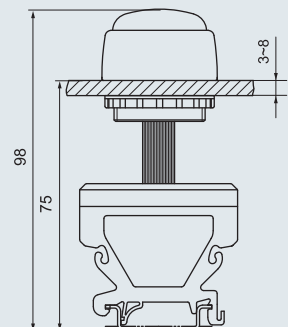
II: Rail mounting
Indicator cover



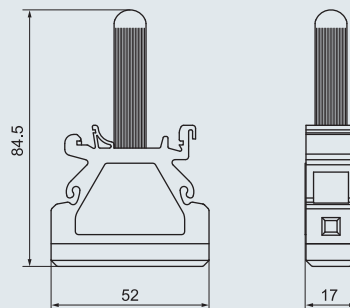
Mounting hole



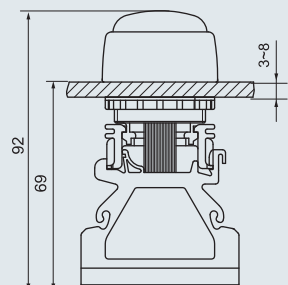
Indicator
(rail mounting)



Rail mounting



Indicator
(cover mounting)



Cover mounting