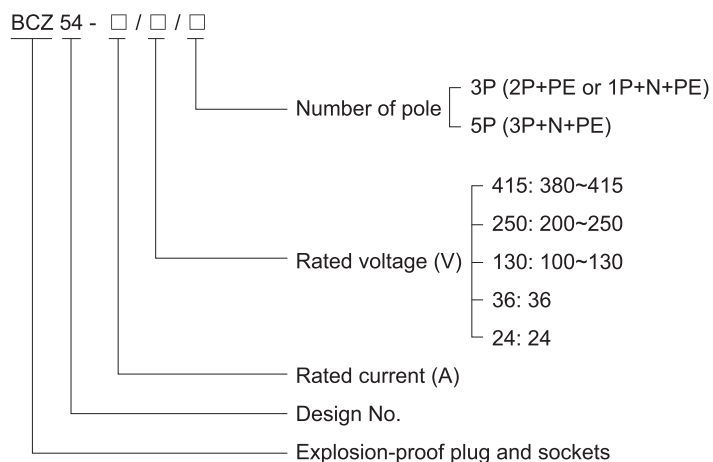


Plug and Sockets BCZ54 Series Explosion-proof Plug and Sockets



- ◆ Explosion protection to
 - CENELEC
 - IEC
- ◆ Can be used in
 - Zone 1 and Zone 2
 - Zone 21 and Zone 22
- ◆ 2 enclosure types; 4 current ratings (16A,32A,63A,100A); 3P or 5P.
- ◆ Plug can only be pulled out when switch is off; turn on the power after inserting the plug.
- ◆ Canopy is recommended for outdoor use.
- ◆ Copper-free aluminium enclosure, powder coated surface.

■ Catalogue number logic



Zones 1&2; 21&22

Plug and Sockets

BCZ54 Series Explosion-proof Plug and Sockets

Selection table					
Version	Voltage (V)	Number of pole	Schematic diagram	Ordering code	Weight (kg)
BCZ54-16/□/□ 	380~415	3P+N+PE		30011	3.25
	200~250	1P+N+PE		30012	3.10
	100~130	1P+N+PE		30013	3.10
	36	2P+PE		30014	3.10
	24	2P+PE		30015	3.10
BCZ54-32/□/□ 	380~415	3P+N+PE		30016	3.35
	200~250	1P+N+PE		30017	3.20
	100~130	1P+N+PE		30018	3.20
	36	2P+PE		30019	3.20
	24	2P+PE		30020	3.20
BCZ54-63/□/□ 	380~415	3P+N+PE		30021	30.30
BCZ54-100/□/□ 	380~415	3P+N+PE		30022	30.30

Note: Plug and sockets are supplied as one complete set when ordering according to the above ordering code.

Plug and Sockets

BCZ54 Series Explosion-proof Plug and Sockets

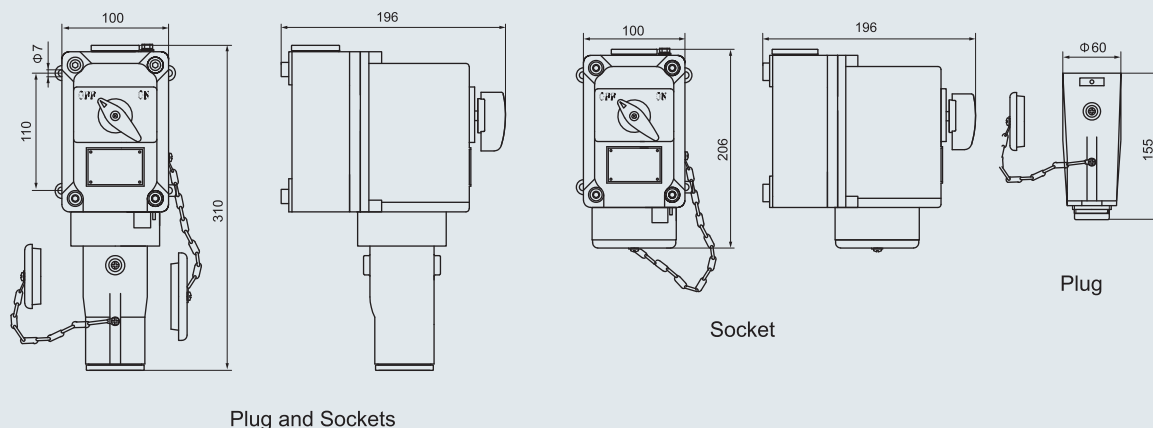
Technical data

Explosion-proof plug and sockets **BCZ54-16/□/□, BCZ54-32/□/□**

Explosion protection	$\text{Ex d e IIB T}^{1)}$ $\text{Ex d e IIB T}^{1})\text{Gb}$ ¹⁾ BCZ54-16/□/□: T6; BCZ54-32/□/□: T5					
Certificates	Nemko 09 ATEX 1013 IECEx CQM 11.0039; KZ.7500525.22.01.00363 (CU-TR)					
Conformity to standards	EN 60079-0, EN 60079-1, EN 60079-7 IEC 60079-0, IEC 60079-1, IEC 60079-7					
Enclosure material	Copper-free aluminium, powder coated surface					
Enclosure colour	Window grey (RAL7040)					
Exposed fastener	Stainless steel					
Rated voltage	Max. 415V AC					
Rated current	16A, 32A					
Switch capacity	AC 3			AC 3		
Application	le(A)	Ue(V)	P(kW)	le(A)	Ue(V)	P(kW)
	16	380, 400, 415	7.5	32	380, 400, 415	15
	16	200, 230, 250	4.0	32	200, 230, 250	7.5
	16	100, 120, 130	2.0	32	100, 120, 130	4
	16	36	1.0	32	36	1.5
	16	24	0.5	32	24	1.0
Degree of protection	IP54 (IP65 with canopy)					
Ambient temperature	-20°C~+55°C					
Cable entry of socket	Standard 1 x M32x1.5 plug					
Cable entry of plug	Standard 1 x G1 1/4" plug					
Cable gland (optional)	DQM-II (Ex d) or DQM-III (Ex d) is recommended. Please see P7/20~27.					
Available cable outer diameter	Φ 12~Φ 19 (mm)					
Cable connection	16A: 3 x (2.5~4) mm ² or 5 x (2.5~4) mm ² 32A: 3 x (4~6) mm ² or 5 x (4~6) mm ²					



Dimension drawings (all dimensions in mm) - subject to alteration



BCZ54-16/□/□; BCZ54-32/□/□

Plug and Sockets

BCZ54 Series Explosion-proof Plug and Sockets

Technical data

Explosion-proof plug and sockets BCZ54-63/□/□, BCZ54-100/□/□

Explosion protection

Gas explosion protection

⊕ II 2 G Ex d IIB T4 Gb Ex d IIB T4 Gb

Dust explosion protection

⊕ II 2 D Ex tD A21 T130°C IP65 Ex t IIB T130°C Db IP65

Certificates

Nemko 11 ATEX 1011 IECEx CQM 11.0024; KZ.7500525.22.01.00363 (CU-TR)

Conformity to standards

EN 60079-0, EN 60079-1, EN 61241-1
IEC 60079-0, IEC 60079-1, IEC 60079-31

Enclosure material

Copper-free aluminium, powder coated surface

Enclosure colour

Window grey (RAL7040)

Exposed fastener

Stainless steel

Rated voltage

Max. 415V AC

Rated current

63A, 100A

Switch capacity

AC 3

AC 3

Application

le(A)	Ue(V)	P(kW)	le(A)	Ue(V)	P(kW)
63	380, 400, 415	30	100	380, 400, 415	37

Degree of protection

IP65

Ambient temperature

-20°C~+55°C

Cable entry of socket

Standard 1 x M63 x 1.5 plug

Cable entry of plug

Standard 1 x M63 x 1.5 plug

Cable gland (optional)

DQM-II (Ex d) or DQM-III (Ex d) is recommended. Please see P7/20~27.

Available cable outer diameter

Φ25~Φ35 (mm)

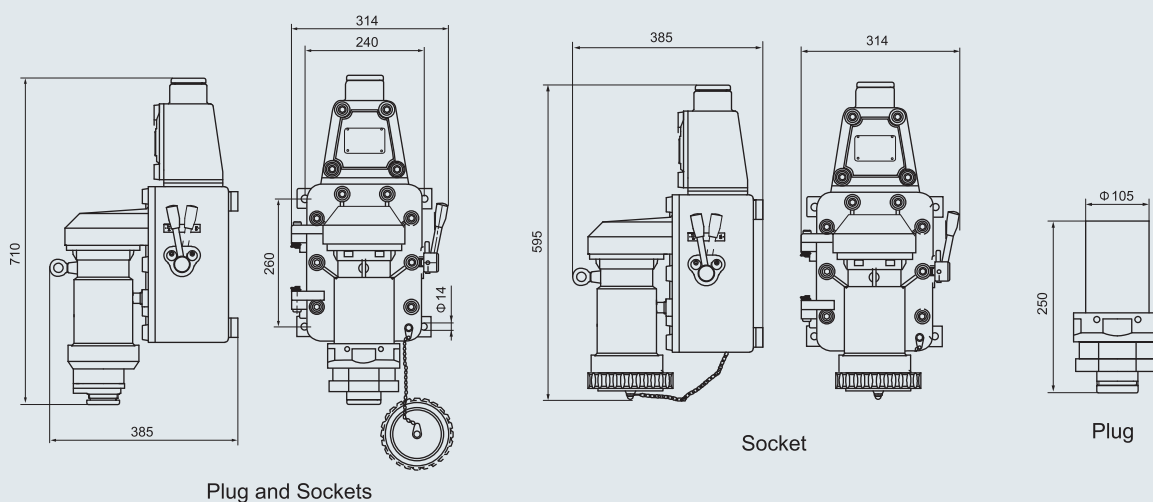
Cable connection

63A: 5 x (10~16)mm²

100A: 5 x (16~25)mm²



Dimension drawings (all dimensions in mm) - subject to alteration



BCZ54-63/□/□; BCZ54-100/□/□