

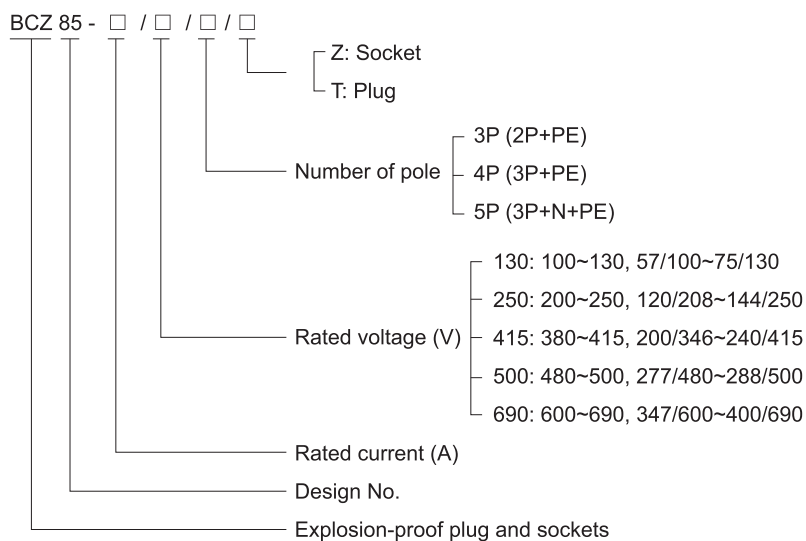
Plug and Sockets

BCZ85 Series Explosion-proof Plug and Sockets



- ◆ Explosion protection to
 - CENELEC
 - IEC
 - NEC
- ◆ Can be used in
 - Zone 1 and Zone 2
 - Zone 21 and Zone 22
 - Class I, Zone 1 and Zone 2
 - Class I, Division 1, Groups A, B, C, D
- ◆ Four enclosure types; Four current ratings (16A, 32A, 63A, 125A); 3P, 4P or 5P.
- ◆ Plug can only be pulled out when switch is off; turn on the power after inserting the plug.
- ◆ Copper-free aluminium enclosure, powder coated surface.

■ Catalogue number logic



Zones 1&2; 21&22

Plug and Sockets

BCZ85 Series Explosion-proof Plug and Sockets

Selection table										
Version	Current (A)	Voltage (V)	Number of pole	Schematic diagram	h	Colour	Ordering code	Weight (kg)		
	16	100~130	2P+PE		4	Yellow	30147	2.60		
		200~250			6	Blue	30148	2.60		
		100~130	3P+PE		4	Yellow	30149	2.60		
		200~250			9	Blue	30150	2.60		
		380~415			6	Red	30151	2.60		
		480~500			7	Black	30152	2.60		
		600~690			5	Black	30153	2.60		
		57/100~75/130		3P+N+PE		4	Yellow	30154	3.40	
		120/208~144/250			9	Blue	30155	3.40		
		200/346~240/415			6	Red	30156	3.40		
		277/480~288/500			7	Black	30157	3.40		
		347/600~400/690			5	Black	30158	3.40		
			32	200~250	2P+PE		6	Blue	30159	3.40
				200~250	3P+PE		9	Blue	30160	3.40
380~415				6		Red	30161	3.40		
480~500				7		Black	30162	3.40		
600~690				5		Black	30163	3.40		
120/208~144/250	3P+N+PE				9	Blue	30164	3.40		
200/346~240/415					6	Red	30165	3.40		
277/480~288/500					7	Black	30166	3.40		
347/600~400/690					5	Black	30167	3.40		
	63	200~250	3P+PE		9	Blue	30168	4.50		
		380~415			6	Red	30169	4.50		
		480~500			7	Black	30170	4.50		
		600~690			5	Black	30171	4.50		
		200/346~240/415	3P+N+PE		6	Red	30172	4.50		
		277/480~288/500			7	Black	30173	4.50		
	125	200~250	3P+PE		9	Blue	30174	20.0		
		380~415			6	Red	30175	20.0		
		480~500			7	Black	30176	20.0		
		600~690			5	Black	30177	20.0		
		200/346~240/415	3P+N+PE		6	Red	30178	20.0		
		277/480~288/500			7	Black	30179	20.0		

Plug and Sockets

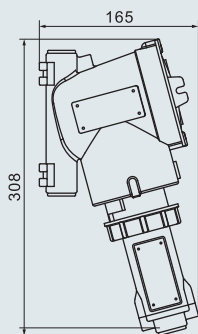
BCZ85 Series Explosion-proof Plug and Sockets

Technical data

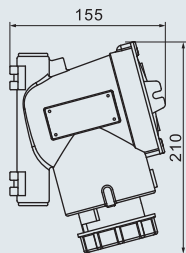
Explosion-proof plug and sockets BCZ85-16/□/□

Explosion protection	<ul style="list-style-type: none"> Gas explosion protection: $\text{Ex II 2 G Ex d IIC T6 Gb}$ Dust explosion protection: $\text{Ex II 2 D Ex t IIIc T80°C Db IP66}$
Certificates	Nemko 12 ATEX 1044; IECEx CQM 12.0015; KZ.7500525.22.01.00363 (CU-TR)
Conformity to standards	EN 60079-0, EN 60079-1, EN 60079-31 IEC 60079-0, IEC 60079-1, IEC 60079-31
Enclosure material	Copper-free aluminium, powder coated surface
Enclosure colour	Window grey (RAL7040)
Exposed fastener	Stainless steel
Rated voltage	Max. 690V AC
Rated current	16A
Number of pole	3P (2P+PE), 4P (3P+PE), 5P (3P+N+PE)
Degree of protection	IP66, IP67 (optional)
Ambient temperature	-60°C~+55°C
Cable entry of socket	2 x M25 x 1.5(3P/4P), 2 x M32 x 1.5(5P)
Cable entry of plug	1 x M25 x 1.5(3P/4P), 1 x M32 x 1.5(5P)
Cable gland (optional)	DQM-II (Ex d) or DQM-III (Ex d) is recommended. Please see P7/20~27.
Cross section of cable	2.5~4 mm ²

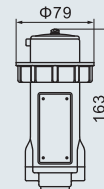
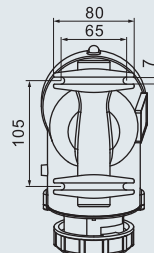
Dimension drawings (all dimensions in mm) - subject to alteration



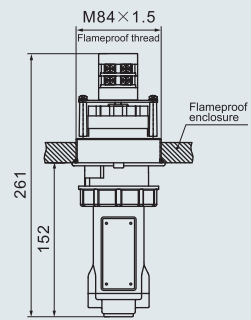
Plug and Sockets



Socket



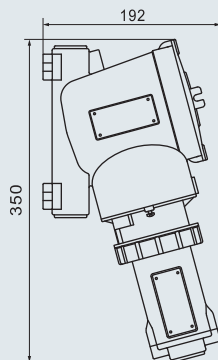
Plug



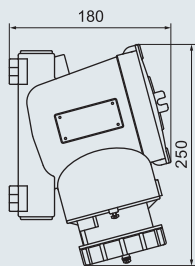
Install on the flameproof enclosure

BCZ85-16/□/3P

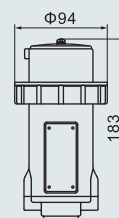
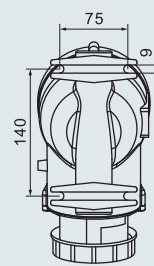
BCZ85-16/□/4P



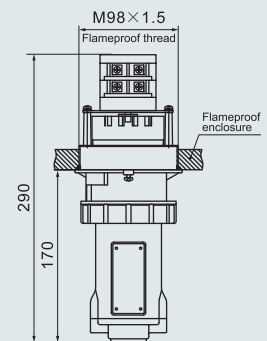
Plug and Sockets



Socket



Plug



Install on the flameproof enclosure

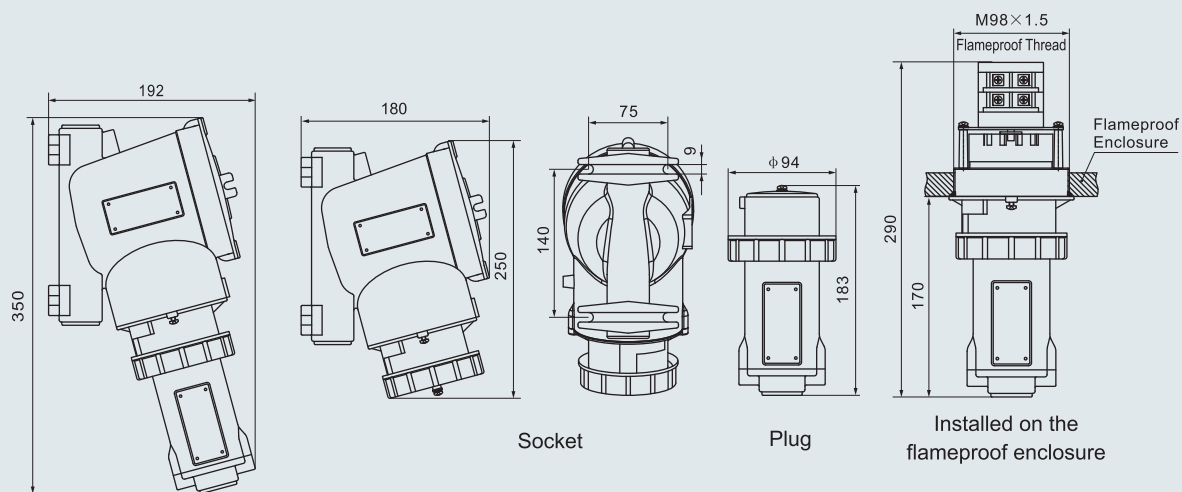
BCZ85-16/□/5P

Plug and Sockets

BCZ85 Series Explosion-proof Plug and Sockets

Technical data	
Explosion-proof plug and sockets BCZ85-32/□/□	
Explosion protection	<p>Gas explosion protection Ex II 2 G Ex d IIC T6 Gb</p> <p>Dust explosion protection Ex II 2 D Ex t IIIC T80°C Db IP66</p>
Certificates	Nemko 12 ATEX 1044; IECEx CQM 12.0015; KZ.7500525.22.01.00363 (CU-TR)
Conformity to standards	EN 60079-0, EN 60079-1, EN 60079-31 IEC 60079-0, IEC 60079-1, IEC 60079-31
Enclosure material	Copper-free aluminium, powder coated surface
Enclosure colour	Window grey (RAL7040)
Exposed fastener	Stainless steel
Rated voltage	Max. 690V AC
Rated current	32A
Number of pole	3P (2P+PE), 4P (3P+PE), 5P (3P+N+PE)
Degree of protection	IP66, IP67 (optional)
Ambient temperature	-60°C~+55°C
Cable entry of socket	2 x M32 x 1.5
Cable entry of plug	1 x M32 x 1.5
Cable gland (optional)	DQM-II (Ex d) or DQM-III (Ex d) is recommended. Please see P7/20~27.
Cross section of cable	4~6 mm ²

Dimension drawings (all dimensions in mm) - subject to alteration



Plug and Sockets

Socket

Plug

Installed on the
flameproof enclosure

BCZ85-32/□/□



Plug and Sockets

BCZ85 Series Explosion-proof Plug and Sockets

Technical data

Explosion-proof plug and sockets BCZ85-63/□/□

Explosion protection

Gas explosion protection

⊕ II 2 G Ex d IIC T6 Gb

Dust explosion protection

⊕ II 2 D Ex t IIIC T80°C Db IP66

Certificates

Nemko 12 ATEX 1247; IECEX CQM 12.0043X; KZ.7500525.22.01.00363 (CU-TR)

Conformity to standards

EN 60079-0, EN 60079-1, EN 60079-31

IEC 60079-0, IEC 60079-1, IEC 60079-31

Enclosure material

Copper-free aluminium, powder coated surface

Enclosure colour

Window grey (RAL7040)

Exposed fastener

Stainless steel

Rated voltage

Max. 690V AC

Rated current

63A

Number of pole

4P (3P+PE), 5P (3P+N+PE)

Degree of protection

IP66, IP67 (optional)

Ambient temperature

-60°C~+55°C

Cable entry of socket

2 x M40 x 1.5

Cable entry of plug

1 x M50 x 1.5

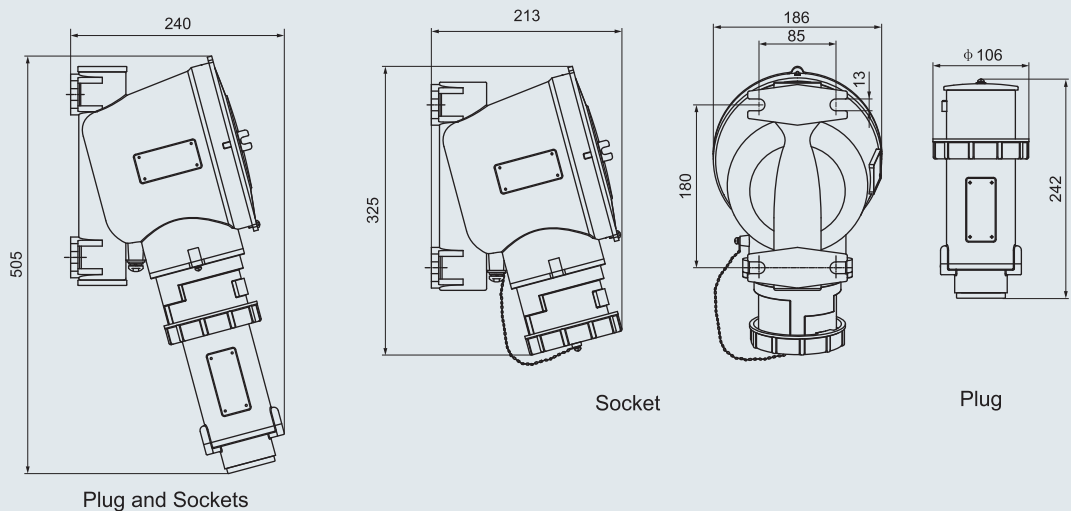
Cable gland (optional)

DQM-II (Ex d) or DQM-III (Ex d) is recommended. Please see P7/20~27.

Cross section of cable

10~16 mm²

Dimension drawings (all dimensions in mm) - subject to alteration



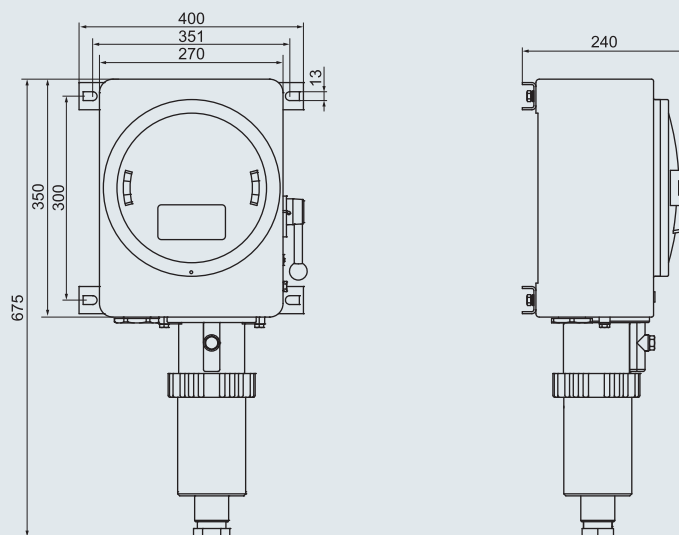
BCZ85-63/□/□

Plug and Sockets

BCZ85 Series Explosion-proof Plug and Sockets

Technical data	
Explosion-proof plug and sockets BCZ85-125/□/□	
Explosion protection	
Gas explosion protection	⊕ II 2 G Ex d IIC T6 Gb
Dust explosion protection	⊕ II 2 D Ex t IIIC T80°C Db IP66
Certificates	Nemko 13 ATEX 1531; IECEx CQM 13.0033X; KZ.7500525.22.01.00363 (CU-TR)
Conformity to standards	EN 60079-0, EN 60079-1, EN 60079-31 IEC 60079-0, IEC 60079-1, IEC 60079-31
Enclosure material	Copper-free aluminium, powder coated surface
Enclosure colour	Window grey (RAL7040)
Exposed fastener	Stainless steel
Rated voltage	Max. 690V AC
Rated current	125A
Number of pole	4P (3P+PE), 5P (3P+N+PE)
Degree of protection	IP66, IP67 (optional)
Ambient temperature	-60°C~+55°C
Cable entry of socket	1 x M63 x 1.5
Cable entry of plug	1 x M50 x 1.5
Cable gland (optional)	DQM-II (Ex d) or DQM-III (Ex d) is recommended. Please see P7/20~27.
Cross section of cable	25~35 mm ²

Dimension drawings (all dimensions in mm) - subject to alteration



BCZ85-125/□/□

